



Installation Instructions

Remote Blowers

Models: REMP3, REMP16

Suitable for use in a household cooking area.

Suitable for use with solid state controls.

To complete this blower, a Dacor® hood assembly or Dacor raised vent must be purchased separately. See the hood or raised vent installation instructions to determine suitability.

Table of Contents

Important Safety Instructions	1	Installation Instructions	6
Important Information About Safety Instructions	1	Parts List	6
Safety Symbols and Labels	1	Installation	6
General Safety Precautions	2	Verifying Proper Operation	7
Product Specifications	3	Technical Data	8
Product Dimensions	3		
Installation Planning and Preparation	4		
Electrical Supply Requirements	4		
Installation Planning	4		
Installation Preparation	5		

Before You Begin...

Important:

- **Installer:** In the interest of safety and to minimize problems, read these installation instructions completely and carefully before you begin the installation process. Leave these installation instructions with the customer.
- **Customer:** Keep these installation instructions for future reference and the local electrical inspector's use.

Customer Service Information

If You Need Help...

If you have questions or problems with installation, contact your Dacor dealer or the Dacor Customer Service Team. For repairs to Dacor appliances under warranty call the Dacor Distinctive Service line.

Dacor Customer Service

Phone: (800) 793-0093
Monday — Friday 6:00 A.M. to 5:00 P.M. Pacific Time
Web site: www.Dacor.com

Dacor Distinctive Service (for repairs under warranty only)

Phone: (877) 337-3226
Monday — Friday 6:00 A.M. to 4:00 P.M. Pacific Time

Model Identification

REMP3 = Remote blower with 8-inch diameter intake
REMP16 = Remote blower with 10-inch diameter intake

All specifications subject to change without notice. Dacor assumes no liability for changes to specifications.

Important Safety Instructions

Important Information About Safety Instructions

- The **Important Safety Instructions** and warnings in these instructions are not meant to cover all possible problems and conditions that can occur. Use common sense and caution when installing, maintaining or operating this or any other appliance.
- Always contact the Dacor Customer Service Team about problems and conditions that you don't understand. See **Customer Service Information** above.

Safety Symbols and Labels

DANGER

Immediate hazards that **WILL** result in severe personal injury or death.

WARNING

Hazards or unsafe practices that **COULD** result in severe personal injury or death.

CAUTION

Hazards or unsafe practices that **COULD** result in minor personal injury or property damage.

DANGER

IMPORTANT: Do not store or use combustible, flammable or explosive vapors and liquids (such as gasoline) inside or in the vicinity of this or any other appliance. Also keep items that could explode, such as aerosol cans, away from the range or cooktop. Do not store flammable or explosive materials in adjacent cabinets or areas.

WARNING

TO REDUCE THE RISK OF FIRE, USE ONLY METAL DUCTWORK.

WARNING

WARNING - TO REDUCE THE RISK OF FIRE, ELECTRIC SHOCK, OR INJURY TO PERSONS, OBSERVE THE FOLLOWING:

- a. Use this unit only in the manner intended by the manufacturer. If you have questions, contact the manufacturer.
- b. Before servicing or cleaning unit, switch power off at service panel and lock the service disconnecting means to prevent power from being switched on accidentally. When the service disconnecting means cannot be locked, securely fasten a prominent warning device, such as a tag, to the service panel.

WARNING

WARNING - TO REDUCE THE RISK OF FIRE, ELECTRIC SHOCK, OR INJURY TO PERSONS, OBSERVE THE FOLLOWING:

- a. Installation work and electrical wiring must be done by qualified person(s) in accordance with all applicable codes and standards, including fire-rated construction.
- b. Sufficient air is needed for proper combustion and exhausting of gases through the flue (chimney) of fuel burning equipment to prevent back drafting. Follow the heating equipment manufacturer's guideline and safety standards such as those published by the National Fire Protection Association (NFPA), and the American Society for Heating, Refrigeration and Air Conditioning Engineers (ASHRAE), and the local code authorities.
- c. When cutting or drilling into wall or ceiling, do not damage electrical wiring and other hidden utilities.
- d. Ducted fans must always be vented to the outdoors.

CAUTION

For general ventilating use only. Do not use to exhaust hazardous or explosive materials or vapors.

READ AND SAVE THESE INSTRUCTIONS

Important Safety Instructions

General Safety Precautions

To reduce the risk of fire, electric shock, serious injury or death when using this blower, follow basic safety precautions, including the following:

WARNING

- Do not install or operate this unit if it has been damaged, dropped, has damaged electrical wiring or is not working properly. If the product is damaged when received, immediately contact the dealer or builder.
- Install or locate this appliance only in accordance with these installation instructions and the Dacor hood or downdraft vent installation instructions. Improper installation, adjustment, alteration, service or maintenance can cause serious personal injury or property damage.
- Before installing or servicing the in-line blower, make sure that power to the wiring is turned off at the circuit breaker or fuse box. Make sure that the service panel is locked or tagged to prevent power from being switched on accidentally.
- To reduce the risk of electric shock or fire, the total combined current draw of the in-line blower and the hood or downdraft vent must not exceed the maximum rated input current of the hood or downdraft vent.
- The installer must show the customer the location of the fuse or circuit breaker panel so that the customer knows where and how to turn the power off.

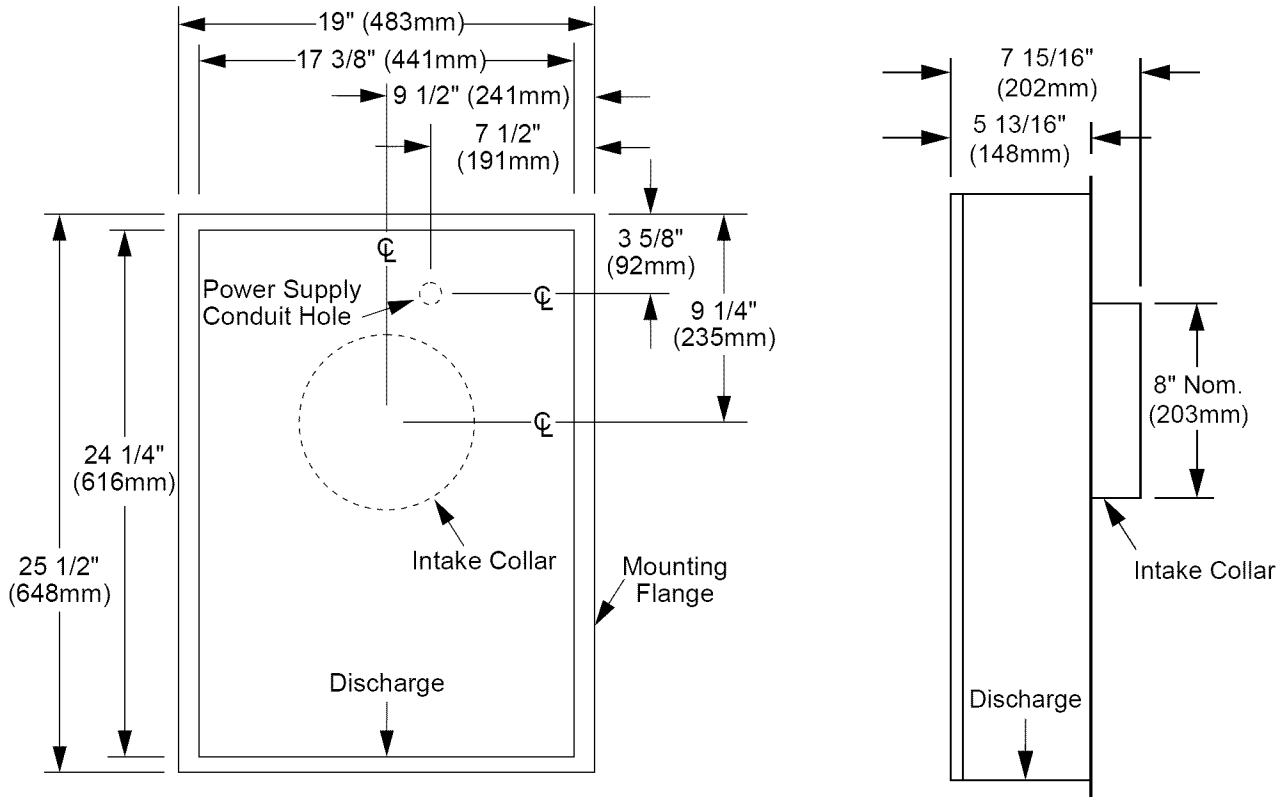
WARNING

- A minimum of two people are required to safely install this appliance.
- Never allow the filters or vent openings on the hood or downdraft vent to become blocked or clogged. Do not allow foreign objects, such as cigarettes or napkins, to be sucked into the vent holes.
- Tape all duct joints securely to prevent combustion by-products, smoke or odors from entering the home. Doing so will also improve system efficiency.
- Do not route electrical wiring near hot surfaces.
- Do not ground the appliance with the neutral (white) house supply wire. A separate ground wire must be utilized.
- To prevent a damaged or non-functional system, complete electrical connections properly. Follow the wiring diagrams carefully in the hood or in-line blower installation instructions to ensure a proper installation. After installation or service, make sure that all blower wires are tightly connected to their respective terminals.

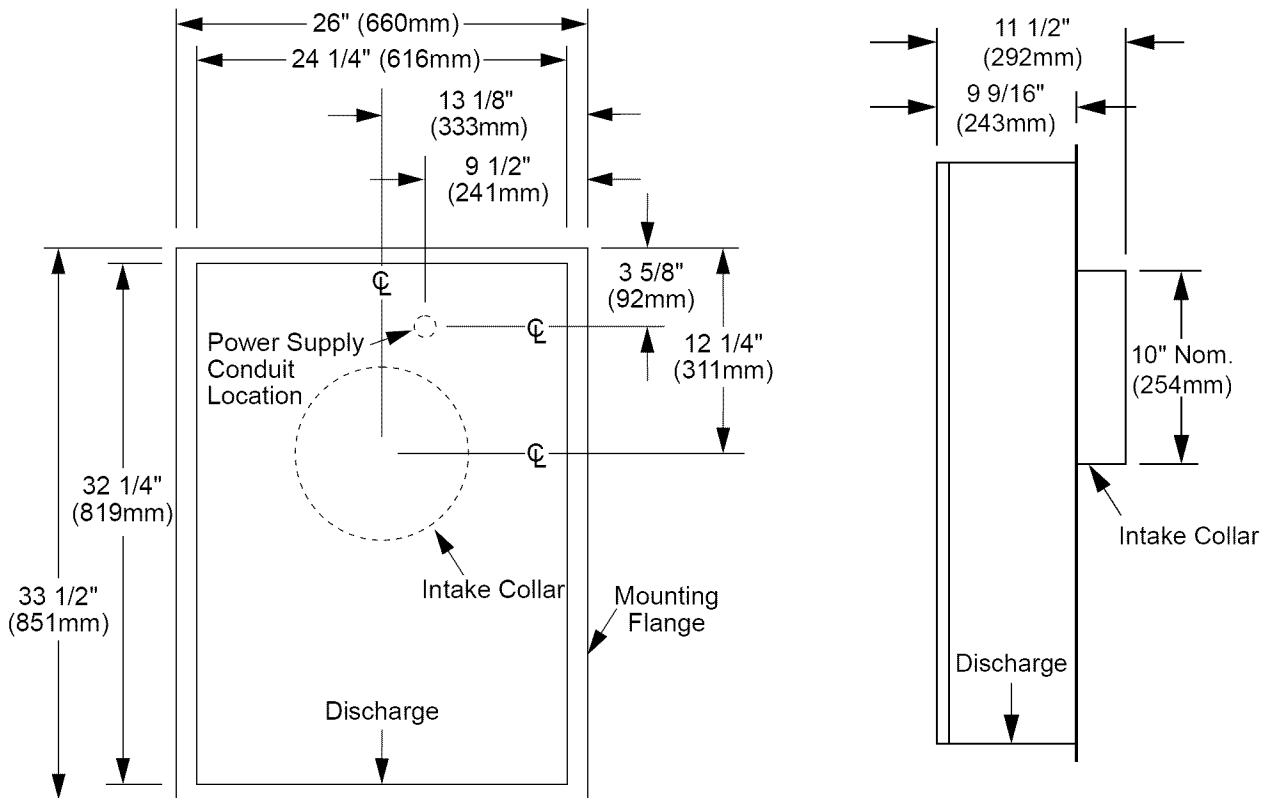
Product Specifications

Product Dimensions

All tolerances: +1/16", -0, (1.6 mm,0) unless otherwise noted.



REMP3



REMP16

Installation Planning and Preparation

Electrical Supply Requirements

- The power for this blower is supplied via 1/2" 3-wire wiring/conduit (not included) by an approved Dacor hood or raised vent. The wiring/conduit is installed between the hood or raised vent and the blower and shall be terminated on each end by a 1/2" UL certified strain relief. The power is turned on and off by the power switch on the approved ventilation device.
- The correct voltage, frequency and amperage must be supplied to the hood or raised vent and the blower from a grounded, single phase circuit that is protected by a properly sized circuit breaker or time-delay fuse. The circuit must have the capacity to supply the combined power requirements for the hood or raised vent and the in-line blower. See the installation instructions for the hood or raised vent to determine total power requirements in combination with the blower electrical specifications.

Model Number*	Power Requirements**	Blower Rating***
REMP3	120 Vac, 60 Hz, 3.8 Amp	600 CFM
REMP16	120 Vac, 60 Hz, 2.7 Amp	1000 CFM

* All models are thermally protected.

** In addition to the hood or raised vent

*** Nominal rating at 0 inches static pressure. See **Technical Data** section for actual ratings.

The above specifications are for reference only. See the data label on the blower for exact specifications. If the above specifications vary from the label on the blower, use the data on the blower label.

It is the owner's responsibility to ensure that the power supply is installed by a licensed electrician. The electrical installation must comply with the latest revision of the National Electric Code ANSI/NFPA 70 (latest revision) and local codes and ordinances.

A copy of the specification may be obtained from:

National Fire Protection Association
1 Batterymarch Park
Quincy, Massachusetts 02269-9101

If the electrical service provided does not meet all product specifications, or does not conform to the NEC or local standards, do not proceed with the installation. Call a licensed electrician to correct the electrical service before proceeding.

Installation Planning

System Layout

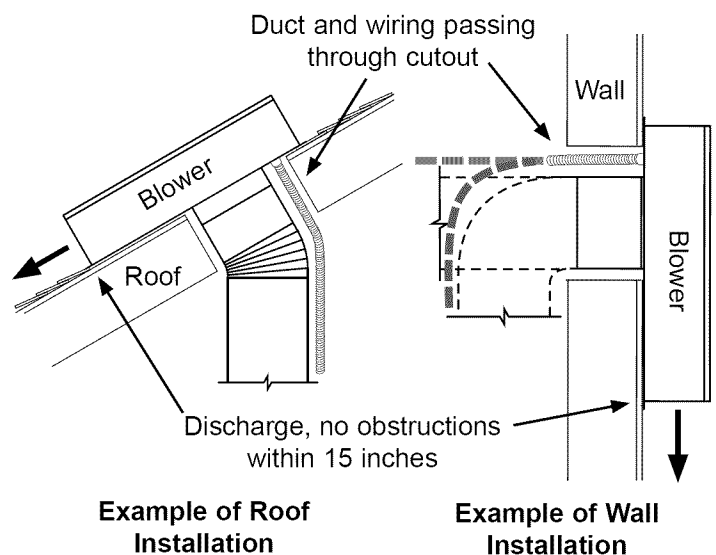
WARNING

To avoid the risk of fire due to the unit overheating:

- DO NOT** install this blower with a hood or raised vent that has an internal blower.
- DO NOT** install more than one blower to increase the length of the duct run. Even small differences between blower air flow rates can greatly reduce the air draw by the hood or raised vent.
- Consult the installation instructions for the raised vent or hood for complete layout and duct system planning instructions. Observe all location and duct system design instructions.
- The remote blower needs to be wired to turn on when the raised vent or hood is turned on by routing wiring/conduit parallel to the duct work. Connect the wiring/conduit to the raised vent or hood on one end and the remote blower on the other. There is a 7/8" electrical access hole on the bottom of the blower.

Blower Location and Mounting

- Install the blower in a location that allows it to be accessed for service if necessary. There must be enough room to remove the top cover of the unit and enough room to access the power terminals and mounting holes located inside.
- The mounting location needs to allow for a cutout under the unit for the duct and wiring/conduit to pass through the wall or roof into the blower assembly. See Figure 1.
- The mounting location must allow for a clearance of at least 15" (381mm) between the blower air discharge and any obstructions (vents, pipes, etc.) See below.



Installation Planning and Preparation

Blower Location and Mounting (cont.)

- Select a location that can properly support or can be reinforced to support the weight of the blower (see weight table below). The unit requires a mounting surface around the perimeter of the base of the unit 2" in width and thick enough to accommodate the 8, 2 1/2" long mounting screws that are provided with the unit. All contact surfaces between the blower and any mounting surfaces must be solid and at right angles. See Figure 1 for the required mounting surface dimensions.

Model Number	Approximate Shipping Weight
REMP3	35 lbs.
REMP16	55 lbs.

Weight Table

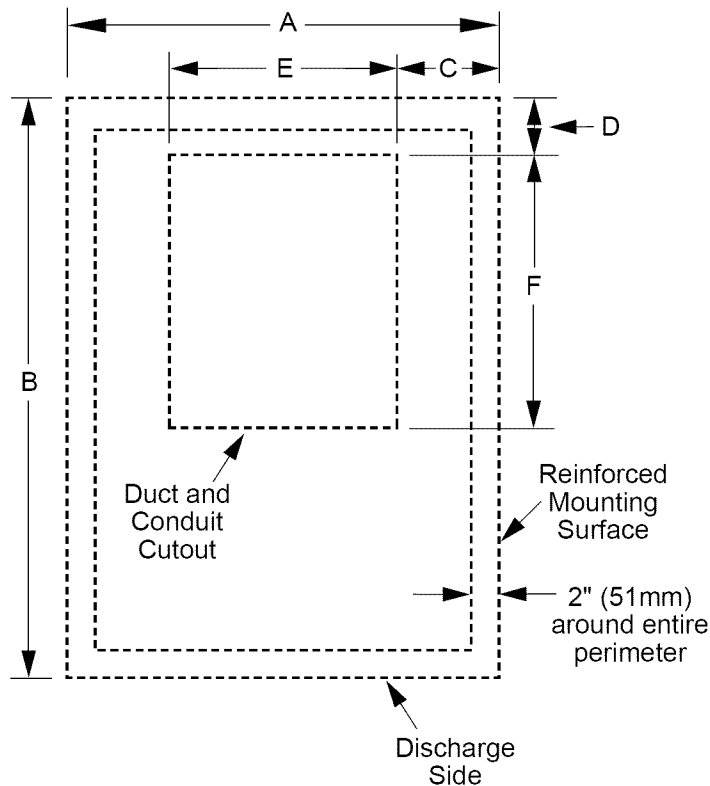


Figure 1:
Required Mounting Surface Dimensions

Dimension	REMP3	REMP16
A	19" (483mm)	26" (660mm)
B	25 1/2" (648mm)	33 1/2" (851mm)
C	4" (102mm)	4" (102mm)
D	2 1/8" (92mm)	2 1/8" (92mm)
E	11" (279mm)	13" (330mm)
F	12 5/8" (321mm)	16 5/8" (422mm)

- The base of the remote blower needs to be sealed with mastic or the equivalent to prevent leaks.

- The blower must also be mounted vertically or at a pitch of 2:12 or greater. If the pitch of the mounting surface is less than 2:12, construct a roof curb to mount the blower. See **Installation Preparation** for exact dimensions.
- When mounted in an exposed location shield it to prevent the accumulation of water in the chassis. On horizontal installations, point the discharge in the same direction as prevailing winds. When mounted vertically, the discharge must point down.

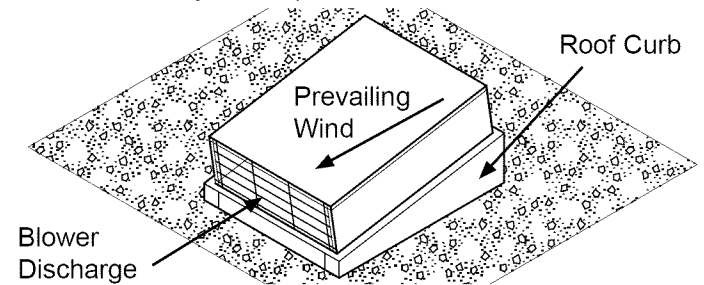
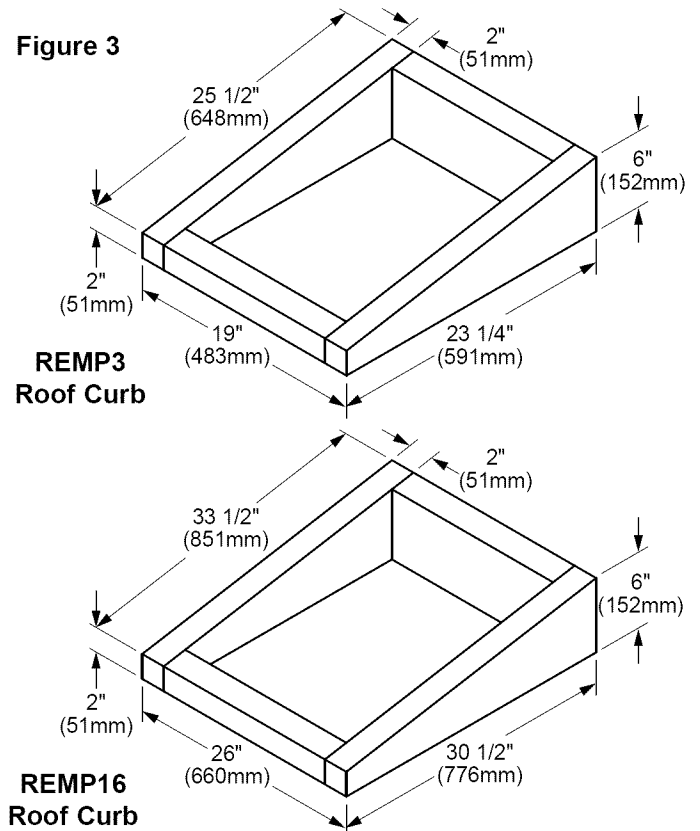


Figure 2: Installation with Roof Curb (for flat roofs)

Installation Preparation

- Prepare the mounting surface and reinforce it if necessary according to the **Blower Location and Mounting** specifications starting on page 4.
- Make a cutout in the center of the mounting location according to Figure 1.
- On roofs with a pitch of 2:12 or less, construct a roof curb according to the specifications below. Attach it to the mounting surface and seal it around the base.



Installation Instructions

WARNING

- If the electrical service provided does not meet the power requirements for the hood/raised vent and the blower combined, do not continue with the installation. Contact a licensed electrician to correct the situation before continuing.
- Failure to connect the wiring as specified may result in an electric shock hazard and/or improper blower operation.
- To avoid the risk of fire or electric shock, turn off power at the circuit breaker panel or fuse box before connecting the blower to the power source.
- The blower assembly is heavy. Do not attempt to lift or move it without assistance.

Parts List

Verify Package Contents

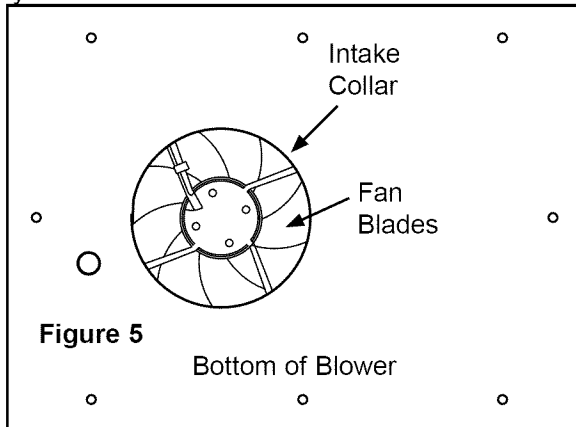
- 2 1/2" wood mounting screws (8)
- Blower assembly

Parts Required

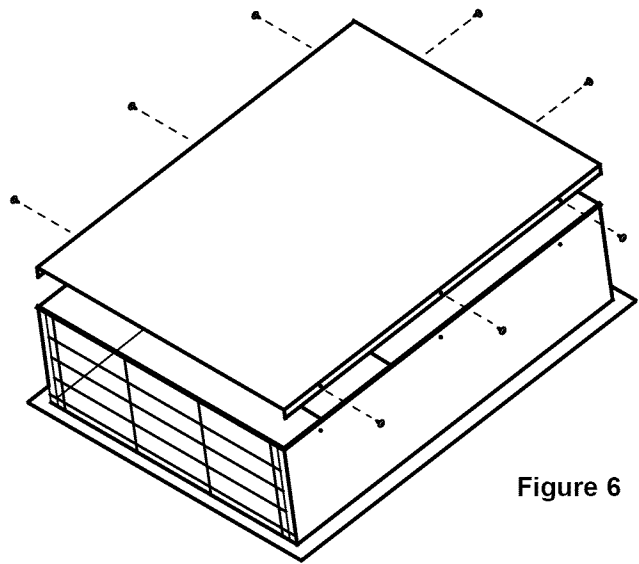
- 3 conductor wiring/conduit with UL certified strain relief on each end (length is determined by remote blower location).
- If the blower will be mounted to a surface other than wood, fasteners designed for the material the unit will be mounted to must be provided. The fasteners must be capable of supporting the weight of the blower (see weight table on page 5) and meet local codes and ordinances.
- Consult the hood or raised vent installation instructions for additional part requirements.

Installation

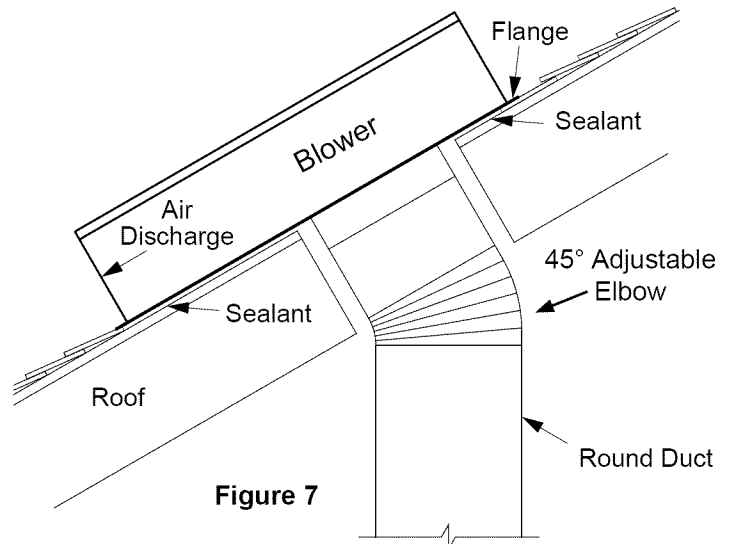
1. Before installing the blower, unpack the unit and check for physical damage to the motor and blower assembly. To do so, reach in through the intake collar and spin the fan blades slowly. They should spin freely and quietly without vibration.



2. Remove the blower's top cover by removing the screws around the edge that hold it in place.



3. Apply sealant between the blower and the mounting surface where the flange around the edge of the blower will rest.



4. Pick up the blower assembly and center it on the mounting surface inserting the intake collar into the cutout.
5. While holding the blower in place, fasten it to the mounting surface with eight (8) mounting screws. The mounting holes are located inside the blower assembly chassis near the sides.
6. Install the duct work according to the installation instructions for the hood or raised vent. Support the duct weight as necessary to ensure properly sealed joints.

Installation Instructions

Electrical Installation

7. Run the wiring used to supply power from the installed raised vent or hood to the blower parallel to the duct work.
8. Make sure that power to the raised vent or hood is disconnected or turned off at the circuit breaker or fuse box.
9. With the UL certified strain relief attached to the end of the wiring/conduit, feed the wires into the electrical access hole on the under side of the blower and attach it.

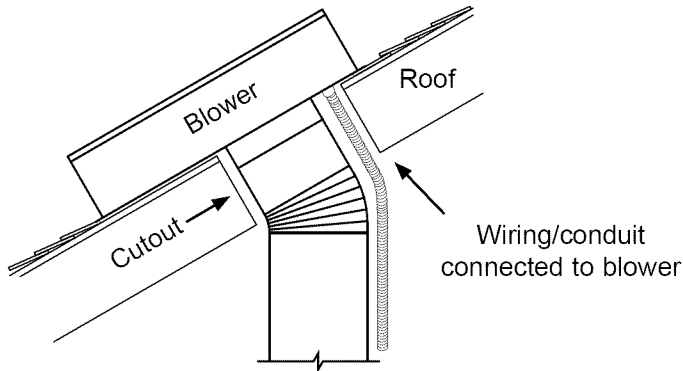


Figure 8:
Wiring/Conduit Connection

10. From inside the blower assembly, strip the three wires.
11. Connect the black (L1) wire to the L2 blower power terminal (see Figure 9). Tighten the terminal screw firmly into place. **IMPORTANT:** The L2 (hot) terminal on the blower has the BLUE wire from the blower wiring harness connected to it.

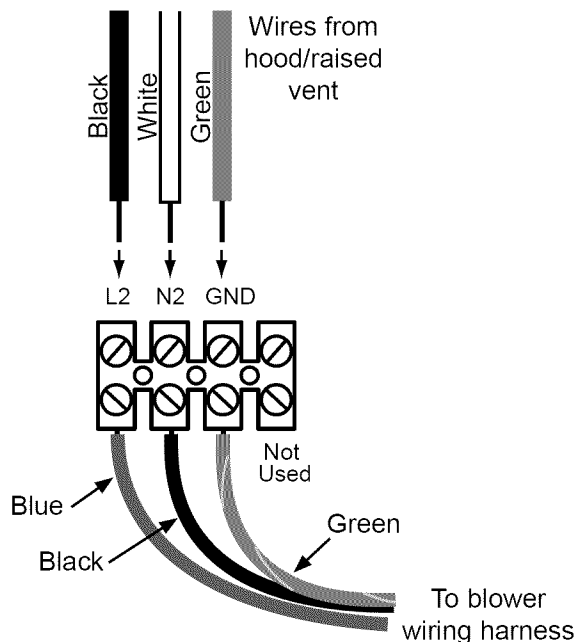


Figure 9: Wiring Diagram

12. Connect the white (neutral) wire to the N2 blower power terminal (see Figure 9). Tighten the terminal screw firmly into place. **IMPORTANT:** The neutral (N2) terminal on the blower has the BLACK wire from the blower wiring harness connected to it.
13. Connect the green (GND) wire to the GND blower power terminal (see Figure 9). Tighten the terminal screw firmly into place.
14. Check the wires from the blower wiring harness to make sure that they are firmly attached to the terminal according to Figure 9. Reconnect any wires that are loose. Make sure all terminal screws are tight.
15. Replace the blower's top cover and screws.
16. Secure the other end of the wiring/conduit to the hood or raised vent and connect the wires according to the hood or raised vent installation instructions.

Verifying Proper Operation

WARNING

Read the raised vent or hood use and care manual completely before operation.

Test the blower operation according to the **Verify Proper Operation** section of the hood or raised vent installation instructions.

If the blower does not work after having been properly installed, contact Dacor Distinctive Service at (877) 337-3226. Do not attempt to repair the unit yourself. Dacor is not responsible for the costs required to correct problems caused by a faulty installation.

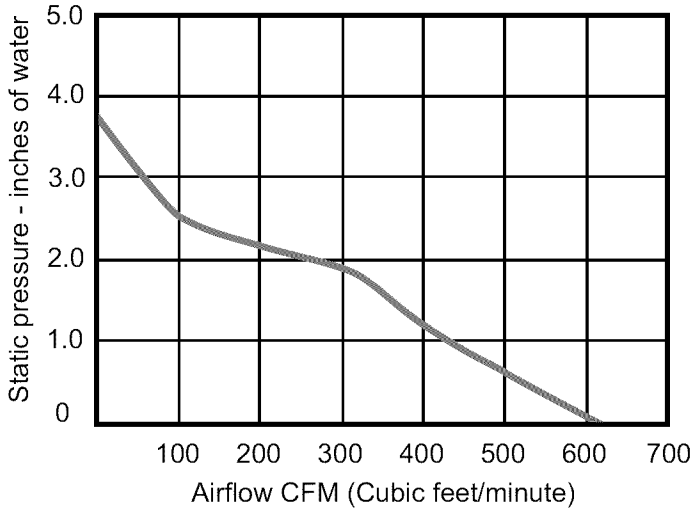
Technical Data

REMP Series Blower Ratings

Model Number	Nominal Rating*	Actual Rating*
REMP3	600 CFM	620.5 CFM
REMP16	1000 CFM	994.8 CFM

* At 0" static pressure

REMP3 Blower Performance



REMP16 Blower Performance

