



website <http://www.lgservice.com>

e-mail <http://www.lgservice.com/techsup.html>

ROOM AIR CONDITIONER OWNER'S MANUAL

Please read the operating instructions and safety precautions carefully and thoroughly before installing and operating your room air conditioner.

MANUEL D'UTILISATION CLIMATISEUR DE FENÊTRE

Veuillez lire attentivement et en entier ce guide d'utilisation et les mesures de sécurité ci-incluses avant de procéder à l'installation et au fonctionnement de votre climatiseur.

AIRE ACONDICIONADOR MANUAL DEL PROPIETARIO

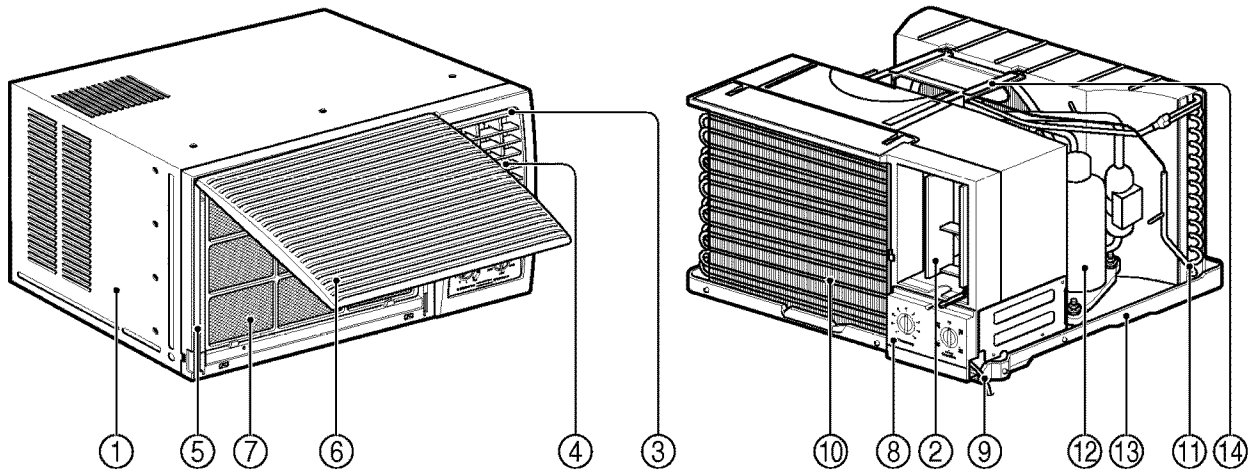
Por favor lea las instrucciones de operación y las precauciones de seguridad cuidadosa y totalmente antes de instalar y operar su acondicionador de aire de ventana.

MODELS, MODÉLES, MODELOS:
R1404

TABLE OF CONTENTS

FEATURES	2
SAFETY PRECAUTIONS	3
OPERATING	5
FUNCTION	5
VENTILATION	6
TO CONTROL AIR DIRECTION	6
HOW TO SECURE THE DRAIN PIPE	6
AIR FILTER CLEANING	7
HOW TO USE THE REVERSIBLE INLET GRILLE	7
ELECTRICAL DATA	8
BEFORE CALLING FOR SERVICE	8
INSTALLATION INSTRUCTIONS	9
ELECTRICAL SAFETY	13

FEATURES





- | | |
|--|------------------|
| 1. CABINET | 7. AIR FILTER |
| 2. HORIZONTAL AIR DEFLECTOR
(VERTICAL LOUVER) | 8. CONTROL BOARD |
| 3. VERTICAL AIR DEFLECTOR
(HORIZONTAL LOUVER) | 9. POWER CORD |
| 4. AIR DISCHARGE | 10. EVAPORATOR |
| 5. FRONT GRILLE | 11. CONDENSER |
| 6. AIR INTAKE
(INLET GRILLE) | 12. COMPRESSOR |
| | 13. BASE PAN |
| | 14. BRACE |



Safety Precautions


To prevent injury to the user or other people and property damage, the following instructions must be followed.

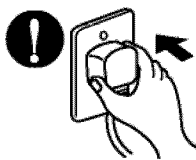

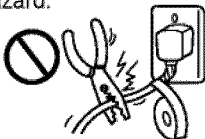
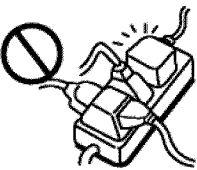

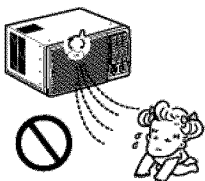
- Incorrect operation due to ignoring of instruction will cause harm or damage. The seriousness is classified by the following indications.

	WARNING	: This symbol indicates the possibility of death or serious injury.
	CAUTION	: This symbol indicates the possibility of injury or damage to properties only.

- Meanings of symbols used in this manual are as shown below.

	Be sure not to do.
	Be sure to follow the instruction.

 **WARNING**

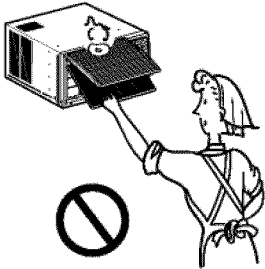
<p>Plug in the power plug properly.</p> <ul style="list-style-type: none"> • Otherwise, it will cause electric shock or fire due to heat generation. 	<p>Do not operate or stop the unit by inserting or pulling out the power plug.</p> <ul style="list-style-type: none"> • It will cause electric shock or fire due to heat generation. 	<p>Do not damage or use an unspecified power cord.</p> <ul style="list-style-type: none"> • It will cause electric shock or fire. • If the power cord is damaged, it must be replaced by the manufacturer or an authorized service center or a similarly qualified person in order to avoid a hazard. 
<p>Do not modify power cord length or share the outlet with other appliances.</p> <ul style="list-style-type: none"> • It will cause electric shock or fire due to heat generation. 	<p>Do not operate with wet hand or in damp environment.</p> <ul style="list-style-type: none"> • It will cause electric shock. 	<p>Do not direct airflow at room occupants only.</p> <ul style="list-style-type: none"> • This could damage your health. 



CAUTION

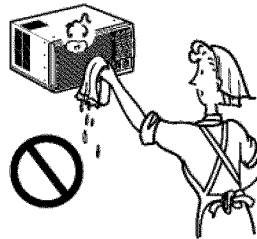
When the air filter is to be removed, do not touch the metal parts of the unit.

- It may cause an injury.



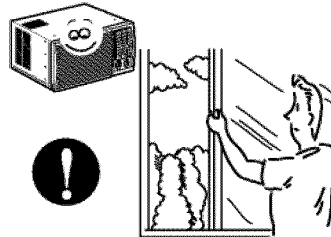
Do not clean the air conditioner with water.

- Water may enter the unit and degrade the insulation. It may cause an electric shock.



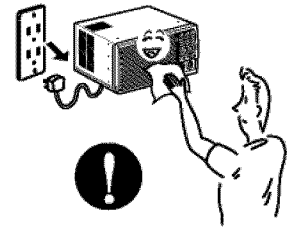
Ventilate well when used together with a stove, etc.

- An oxygen shortage may occur.



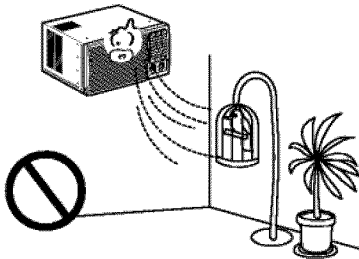
When the unit is to be cleaned, switch the unit off, and unplug it.

- Since the fan rotates at high speed during operation, it may cause an injury.



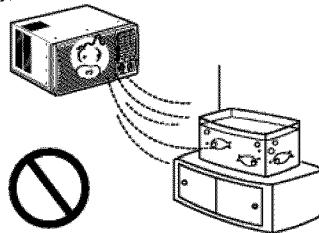
Do not put a pet or house plant where it will be exposed to direct air flow.

- This could injure the pets or plants.



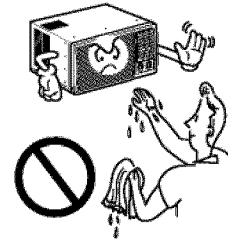
Do not use for special purposes.

- Do not use this air conditioner to preserve precision devices, food, pets, plants, and art objects. It may cause deterioration of quality, etc.



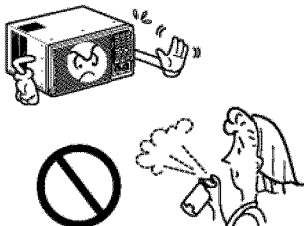
Do not operate switches with wet hands.

- It may cause an electric shock.



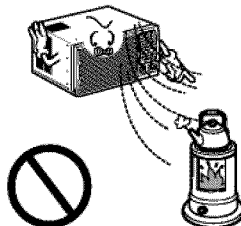
Do not apply an insecticide or flammable spray.

- It may cause a fire or deformation of the cabinet.



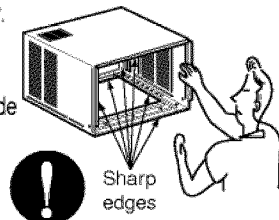
Do not put a heater, etc. where it is exposed to direct air flow.

- It may cause imperfect combustion.



SHARP EDGES!
The edges of the case can be SHARP!

- Use caution when handling the case. Grip it firmly and do not allow it to slip while holding it.
- Use heavy gloves to handle the case if necessary.
- DO NOT allow the case to slide against your skin!

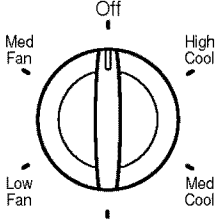
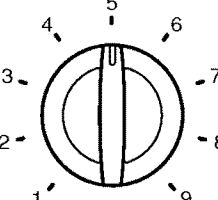


OPERATING

• CAUTION

When the air conditioner has been performing its cooling operation and is turned off or set to the fan position, wait at least 3 minutes before resetting to the cooling operation again.

FUNCTION

 <p style="text-align: center;">Operation</p>	<p>Off - Turns air conditioner off. Med Fan - Med speed fan operation without cooling. Low Fan - Low speed fan operation without cooling. High Cool - Cooling with high speed fan operation. Med Cool - Cooling with med speed fan operation. Low Cool - Cooling with low speed fan operation.</p>
 <p style="text-align: center;">Thermostat</p>	<p>This automatically controls the temperature of the indoor air. Turn the knob so that arrow points to the larger marks for greater cooling. Point the arrow to the smaller marks for more moderate cooling. (i.e. the higher number the greater cooling)</p>

• FOR NORMAL COOLING

1. Turn the Operation Knob to the High Cool from the Low Cool setting.
2. Set the Thermostat control to the desired temperature mark 5 (the mid-point is a good starting position). If the room temperature is not satisfactory after a reasonable time, adjust the control to a cooler or warmer setting, as appropriate.

• FOR QUIETER OPERATION

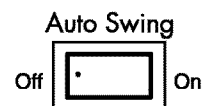
1. Turn the Operation Knob to the Low Cool setting.
2. Set the Thermostat control as needed.

• FOR MAXIMUM COOLING

1. Turn the Operation Knob to the High Cool setting.
2. Set the Thermostat control to the largest temperature mark.

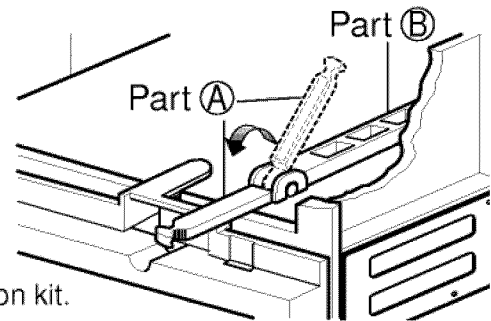
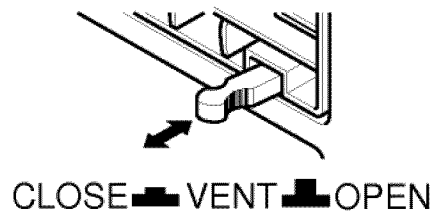
• AUTO SWING(For R1404)

- On : Air swing is operated while Operation knob is set to the Cool position.
 Off : Stops the operation of air swing.



VENTILATION

The ventilation lever must be CLOSE position in order to maintain the best cooling conditions. When fresh air is necessary in the room, set the ventilation lever to the OPEN position. The damper is opened and room air is exhausted.



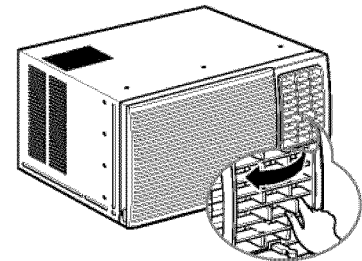
NOTE: Before using the ventilation feature, make a ventilation kit. First, pull down part ① to horizontal line with part ②.

TO CONTROL AIR DIRECTION

The direction of air can be controlled wherever you want to cool by adjusting the horizontal louver and the vertical louver.

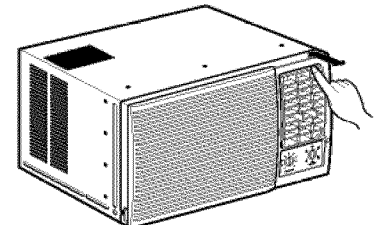
• HORIZONTAL AIR-DIRECTION CONTROL

The horizontal air direction is adjusted by rotating the vertical louver right or left.



• VERTICAL AIR-DIRECTION CONTROL

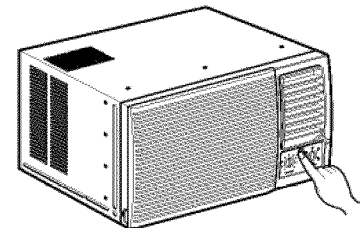
The vertical air direction is adjusted by rotating the horizontal louver forward or backward.



• HORIZONTAL AIR-DIRECTION CONTROL(For R1404)

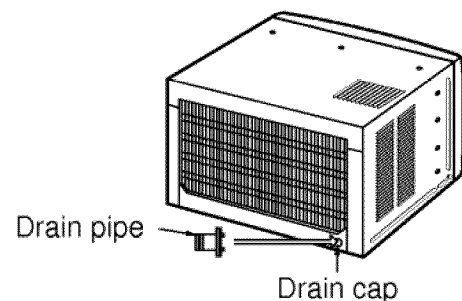
To control horizontal direction of air flow, set to the ON position the air-swing switch and the air flow will be swept horizontally by the automatic air-swing system.

If you want to stop the air flow from moving, switch off the air swing switch at the desired position of the vane.



HOW TO SECURE THE DRAIN PIPE

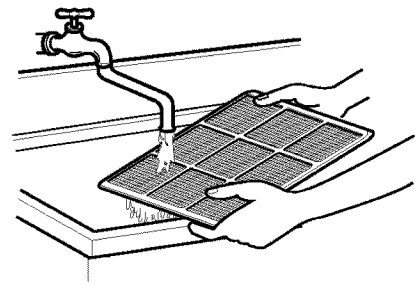
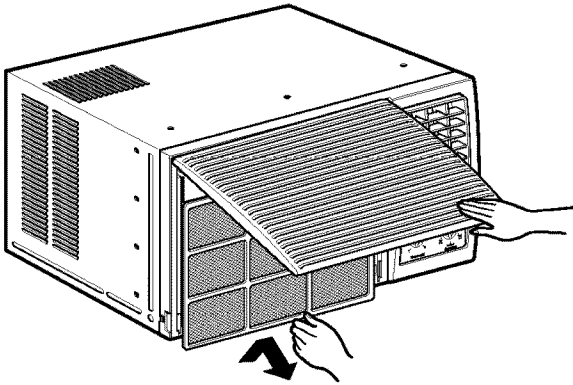
In humid weather, excess water may cause the BASE PAN to overflow. To drain the water, remove the DRAIN CAP and secure the DRAIN PIPE to the rear hole of the BASE PAN.



AIR FILTER CLEANING

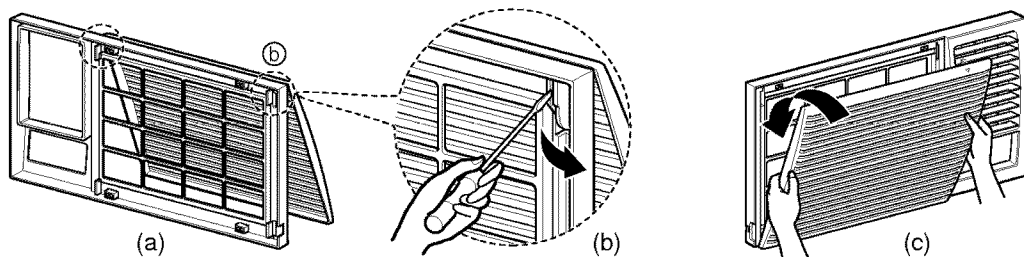
The air filter should be checked at least twice a month to see if cleaning is necessary. Trapped particles in the filter will build up and block the airflow. This reduces the cooling capacity and also causes an accumulation of frost on the cooling coils.

1. Open the inlet grille upward by pulling out the bottom of the inlet grille.
2. Remove the air filter from the front grille assembly by pulling the air filter up slightly.
3. Wash the filter using lukewarm water below 40 °C(104 °F).
4. Gently shake the excess water from the filter completely. Replace the filter.



HOW TO USE THE REVERSIBLE INLET GRILLE

The grille is designed to clean the filter both upward and downward.



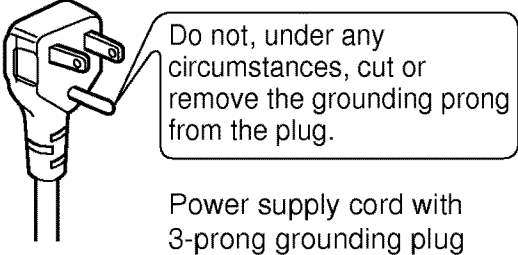
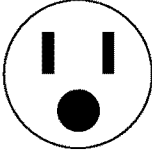
A. Before attaching the front grille to the cabinet, if you want to pull out the filter upward;

1. Open the inlet grille slightly (a).
2. Turn inside out the front grille (a).
3. Disassemble the inlet grille from the front grille with separating the hinged part by inserting a straight type screw-driver tip (b).
4. Then, rotate the inlet grille 180 degrees and insert the hooks into bottom holes of the front grille.
5. Insert the filter and attach the front grille to the cabinet.

B. If you want to pull out the filter downward;

The grille is already designed that way.

ELECTRICAL DATA

Line Cord Plug	Use Wall Receptacle	Power Supply
 <p>Do not, under any circumstances, cut or remove the grounding prong from the plug.</p> <p>Power supply cord with 3-prong grounding plug</p>	 <p>Standard 125V, 3-wire grounding receptacle rated 15A, 125V AC</p>	<p>Use 15 AMP, time delay fuse or circuit breaker.</p>

BEFORE CALLING FOR SERVICE

• **Air Conditioner will not operate.**

1. Is the air conditioner plugged into the outlet?
2. Is the fuse or breaker good?
3. Is the voltage unusually high or low?

• **Air from the unit does not feel cold enough on the cooling setting.**

1. Is the setting temperature correct?
2. Is the air filter clogged with dust?
3. Is the air flow from the outside(condensers) obstructed?
Leave a clearance of over 1 meter(3.28 feet) between the back of the air conditioner and the wall or fence behind it.
4. Are the door or windows open, or is there any source of heat in the room?

NOTE: If it is difficult to find out the cause of the trouble, be sure to turn the air conditioner off and contact the dealer.

• **OFF-SEASON MAINTENANCE**

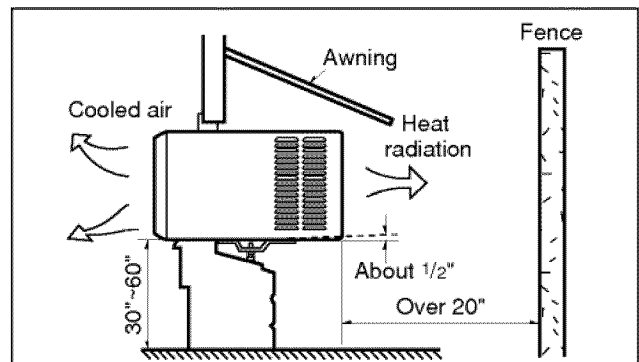
1. Clean the air filter and re-install.
2. Turn the power off by operation knob, and disconnect the power plug from the wall receptacle.

INSTALLATION INSTRUCTIONS

SELECT THE BEST LOCATION

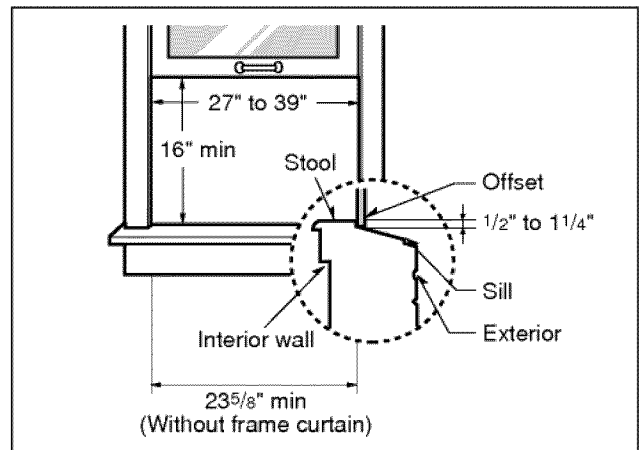
1. To prevent vibration and noise, make sure the unit is installed securely and firmly
2. Install the unit where the sunlight does not shine directly on the unit.
3. The outside of the cabinet must extend outward for at least 12" and there should be no obstacles, such as a fence or wall, within 20" from the back of the cabinet because it will prevent heat radiation of the condenser. Restriction of outside air will greatly reduce the cooling efficiency of the air conditioner.
CAUTION: All side louvers of the cabinet must remain exposed to the outside of the structure.

2. Install the unit a little slanted so the back is slightly lower than the front (about 1/2"). This will force condensed water to flow to the outside.
3. Install the unit with the bottom about 30"~60" above the floor level.

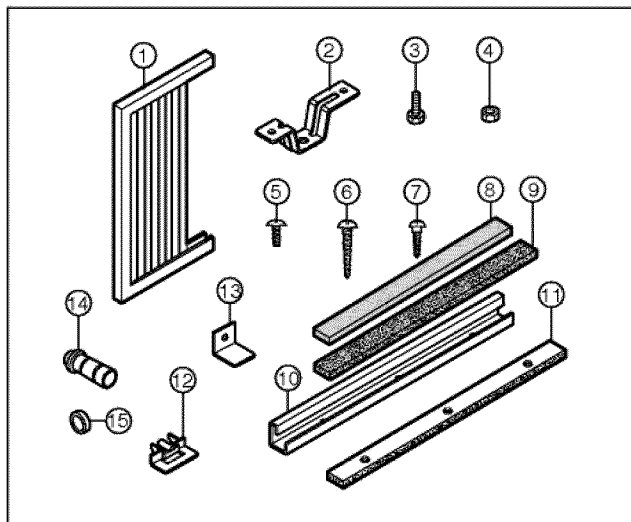


WINDOW REQUIREMENTS

1. This unit is designed for installation in standard double hung windows with actual opening widths from 27" to 39". The top and bottom window sash must open sufficiently to allow a clear vertical opening of 16" from the bottom of the upper sash to the window stool.



INSTALLATION KITS CONTENTS



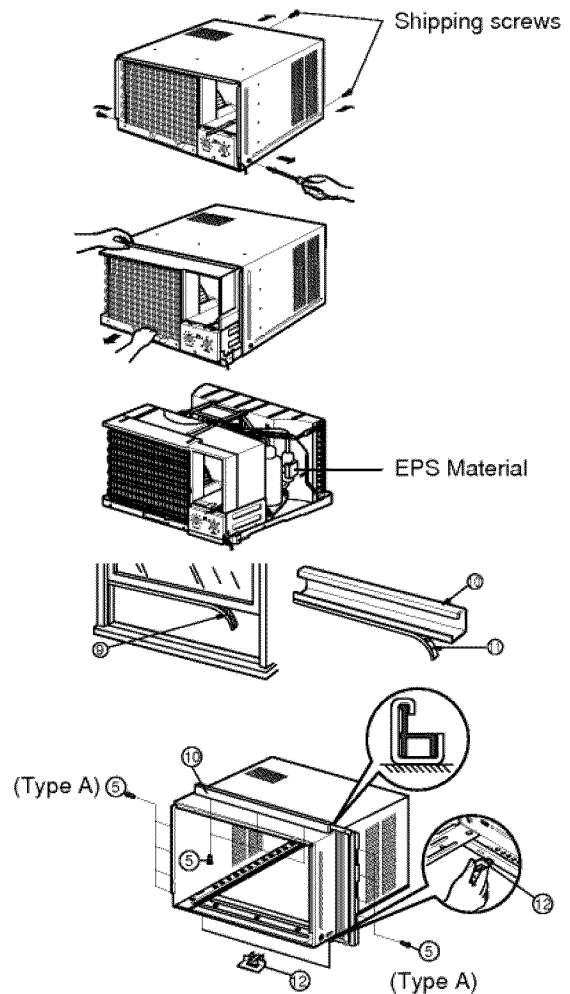
NO.	NAME OF PARTS	Q'TY
1	FRAME CURTAIN	2
2	SILL SUPPORT	2
3	BOLT	2
4	NUT	2
5	SCREW (TYPE A)	16
6	SCREW (TYPE B)	3
7	SCREW (TYPE C)	5
8	FOAM-STRIP	1
9	FOAM-PE	1
10	UPPER GUIDE	1
11	FOAM-PE	1
12	FRAME GUIDE	2
13	WINDOW LOCKING BRACKET	1
14	DRAIN JOINT PIPE	1
15	DRAIN WASHER	1

SUGGESTED TOOL REQUIREMENTS

SCREWDRIVER(+, -), RULLER, KNIFE, HAMMER, PENCIL, LEVEL

PREPARATION OF CHASSIS

1. Remove the screws which fasten the cabinet at both sides and at the back.
2. Slide the unit from the cabinet by gripping the base pan handle and pulling forward while bracing the cabinet.
3. Remove EPS Material.
4. Cut the window sash seal to the proper length. Peel off the backing and attach the foam-pe ⑨ to the underside of the window sash.
5. Remove the backing from the top upper guide Foam PE ⑩ and attach it to the bottom of the upper guide ⑩.
6. Attach the upper guide onto the top of the cabinet with 3 type A screws.
7. Insert the frame guides ⑫ into the bottom of the cabinet.
8. Insert the Frame Curtain ① into the upper guide ⑩ and frame guides ⑫.
9. Fasten the curtains to the unit with 4 Type A screws.

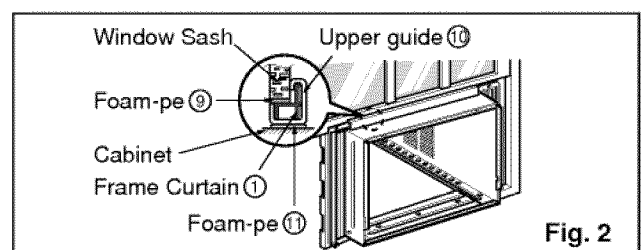
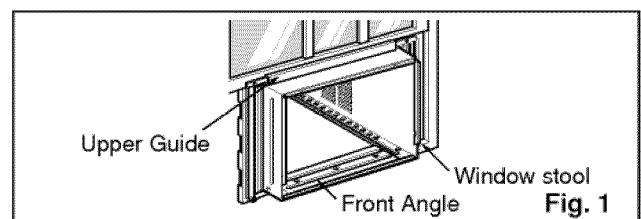


CABINET INSTALLATION

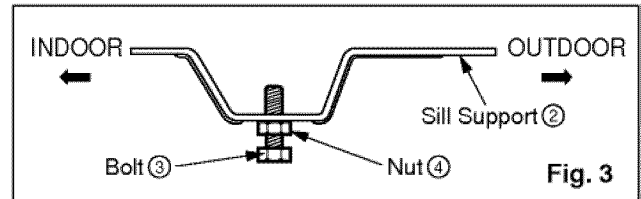
1. Open the window. Mark a line on center of the window stool(or desired air conditioner location).
Carefully place the cabinet on the window stool and align the center mark on the bottom front with the center line marked in the window stool.
2. Pull the bottom window sash down behind the upper guide until it meets.

NOTE:

- Do not pull the window sash down so tightly that the movement of Frame Curtain is restricted.

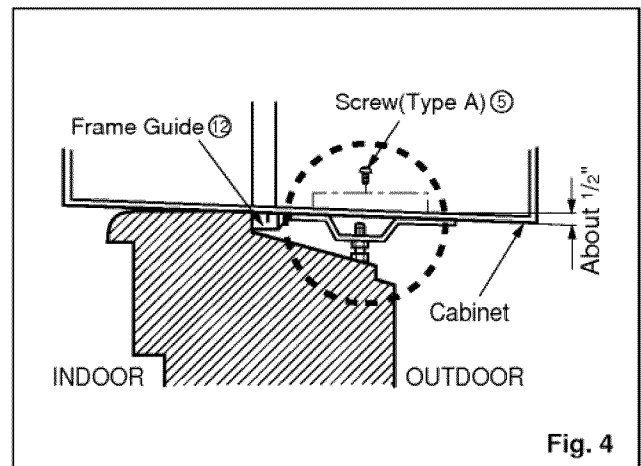


3. Loosely assemble the sill support using the parts in Fig. 3.



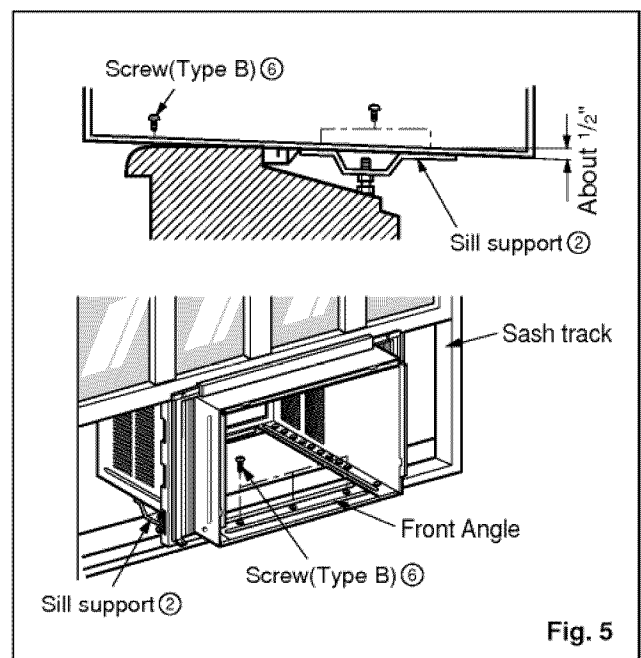
4. Select the position that will place the sill support near the outer most point on sill (See Fig. 4)

NOTE: Be careful when you install the cabinet (frame guides 12 are broken so easily).



5. Attach the sill support to the cabinet track hole in relation to the selected position using 2 Type A screws in each support(See Fig. 4).

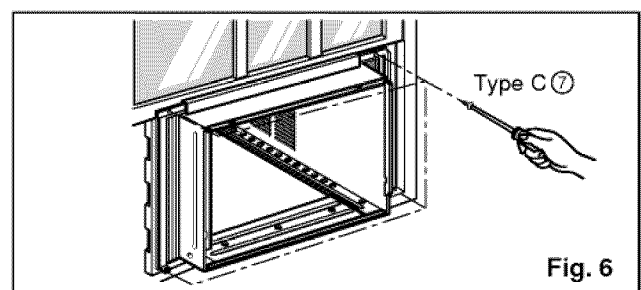
6. The cabinet should be installed with a very **slight tilt(about 1/2") downward** toward the outside (See Fig. 5). Adjust the bolt and the nut of sill support for balancing the cabinet.



7. Attach the cabinet to the window stool by driving the screws 6 (Type B: Length sixteen millimeters and below.) through the front angle into window stool.

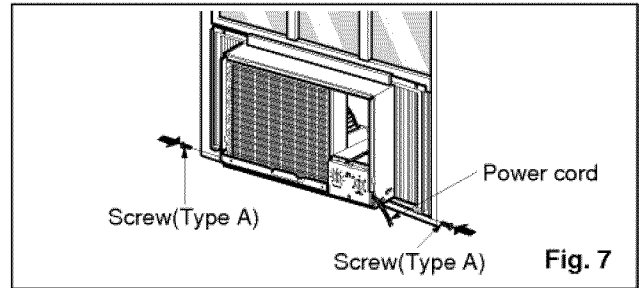
8. Pull each Frame curtain fully to each window sash track, and repeat step 2.

9. Attach each Frame curtain the window sash using screws 7 (Type C). (See Fig. 6)

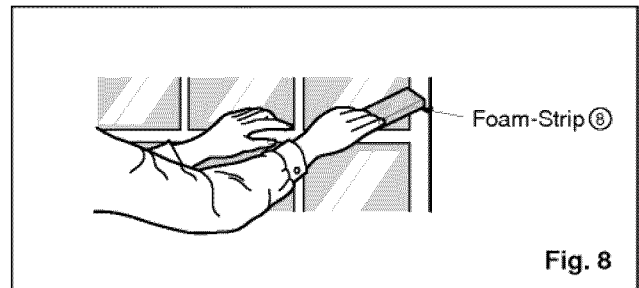


10. Slide the unit into the cabinet.(See Fig. 7)

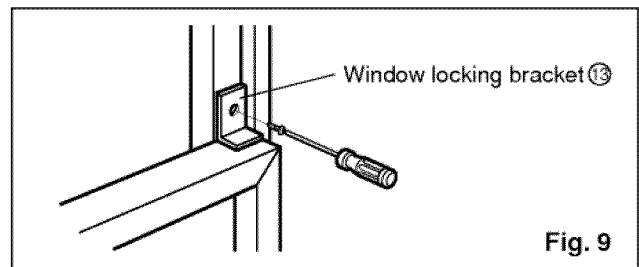
CAUTION: For security purpose, reinstall screws(Type A) at cabinet's sides.



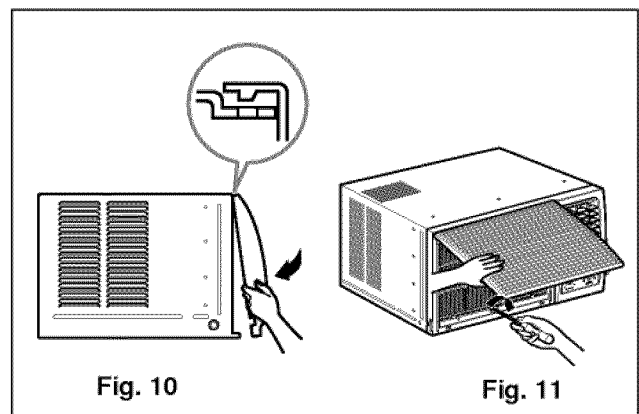
11. Cut the foam-strip ⑧ to the proper length and insert between the upper window sash and the lower window sash.
(See Fig. 8)



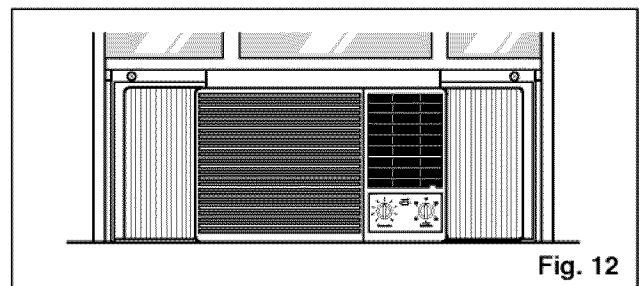
12. Attach the window locking bracket ⑬ with a type C screw. (See Fig. 9)



13. Attach the front grille to the cabinet by inserting the tabs on the grille into the tabs on the front of the cabinet. Push the grille in until it snaps into place.(See Fig.10)



14. Lift the inlet grille and secure it with a type A screw through the front grille.(See Fig. 11)

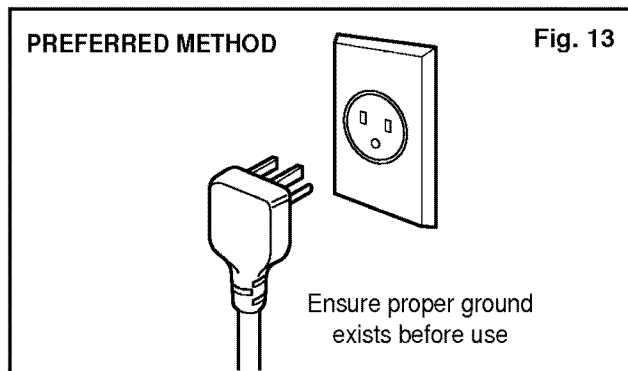


ELECTRICAL SAFETY

IMPORTANT (PLEASE READ CAREFULLY)

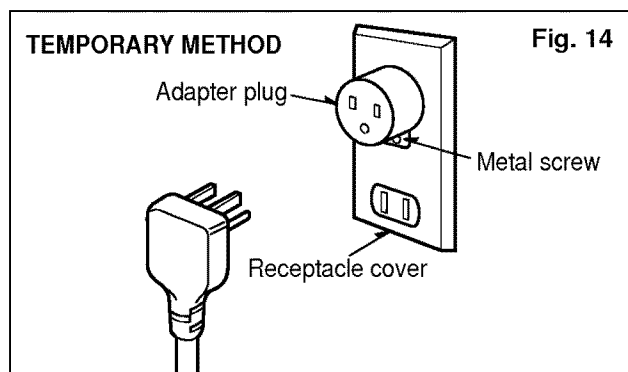
FOR THE USER'S PERSONAL SAFETY, THIS APPLIANCE MUST BE PROPERLY GROUNDED

The power cord of this appliance is equipped with a three-prong(grounding) plug. Use this with a standard three-slot(grounding) wall power outlet(Fig. 13) to minimize the hazard of electric shock. The customer should have the wall receptacle and circuit checked by a qualified electrician to make sure the receptacle is properly grounded.



DO NOT CUT OR REMOVE THE THIRD(GROUND) PRONG FROM THE POWER PLUG.

A. SITUATIONS WHERE THE APPLIANCE WILL BE DISCONNECTED ONLY OCCASIONALLY:



Because of potential safety hazards, we strongly discourage the use of an adapter plug. However, if you wish to use an adapter, a TEMPORARY CONNECTION may be made. Use UL-listed adapter, available from most local hardware store(Fig. 14). The large slot in the adapter must be aligned with the large slot in the receptacle to assure a proper polarity connection.

CAUTION: Attaching the adapter ground terminal to the wall receptacle cover screw does not ground the appliance unless the cover screw is metal, and not insulated, and the wall receptacle is grounded through the house wiring. The customer should have the circuit checked by a qualified electrician to make sure the receptacle is properly grounded.

Disconnect the power cord from the adapter, using one hand on each. Otherwise, the adapter ground terminal might break. DO NOT USE the appliance with a broken adapter plug.

B. SITUATIONS WHERE THE APPLIANCE WILL BE DISCONNECTED OFTEN.

Do not use an adapter plug in these situations. Unplugging the power cord frequently can lead to an eventual breakage of the ground terminal. The wall power outlet should be replaced by a three-slot(grounding) outlet instead.

USE OF EXTENSION CORDS

Because of potential safety hazards, we strongly discourage the use of an extension cord. However, if you wish to use an extension cord, use a CSA certified/UL-listed 3-wire(grounding) extension cord, rated 15A, 125V.