



# ROOM AIR CONDITIONER OWNER'S MANUAL

Please read the operating instructions and safety precautions carefully and thoroughly before installing and operating your room air conditioner.

# AIRE ACONDICIONADOR MANUAL DEL PROPIETARIO

Por favor lea las instrucciones de operación y las precauciones de seguridad cuidadosa y totalmente antes de instalar y operar su acondicionador de aire de ventana.

MODELS, MODELOS: HBLG8003R, HBLG1003R

Manufactured by LG Electronics

# TABLE OF CONTENTS

1. *Safety Precautions*

2. *Operating Instructions*

3. *Care and Maintenance*

4. *Hardware Installation*

5. *Common Issues*



## FOR YOUR RECORDS

Write the model and serial numbers here:

**Model #** \_\_\_\_\_

**Serial #** \_\_\_\_\_

You can find them on a label on the side of each unit.

**Dealer's Name** \_\_\_\_\_

**Date Purchased** \_\_\_\_\_

■ Staple your receipt to this page in the event you need it to prove date of purchase or for warranty issues.



## READ THIS MANUAL

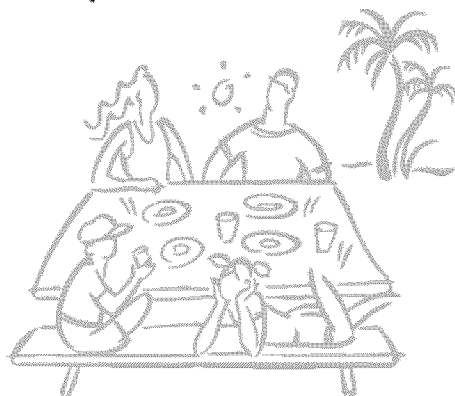
Inside you will find many helpful hints on how to use and maintain your air conditioner properly. Just a little preventive care on your part can save you a great deal of time and money over the life of your air conditioner.

You'll find many answers to common problems in the chart of troubleshooting tips. If you review our chart of **Troubleshooting Tips** first, you may not need to call for service at all.



## PRECAUTION

- Contact the authorized service technician for repair or maintenance of this unit.
- Contact the installer for installation of this unit.
- The air conditioner is not intended for use by young children or invalids without supervision.
- Young children should be supervised to ensure that they do not play with the air conditioner.
- When the power cord is to be replaced, replacement work shall be performed by authorized personnel only using only genuine replacement parts.
- Installation work must be performed in accordance with the National Electric Code by qualified and authorized personnel only.





To prevent injury to the user or other people and property damage, the following instructions must be followed.

- Incorrect operation due to ignoring instruction will cause harm or damage. The seriousness is classified by the following indications.

**⚠ WARNING** This symbol indicates the possibility of death or serious injury.

**⚠ CAUTION** This symbol indicates the possibility of injury or damage to properties only.

- Meanings of symbols used in this manual are as shown below.

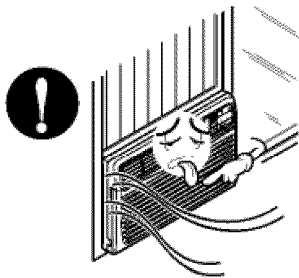
|   |   |
|---|---|
|  | <b>Be sure not to do.</b>                 |
|  | <b>Be sure to follow the instruction.</b> |

## ⚠ WARNING

### ■ Installation

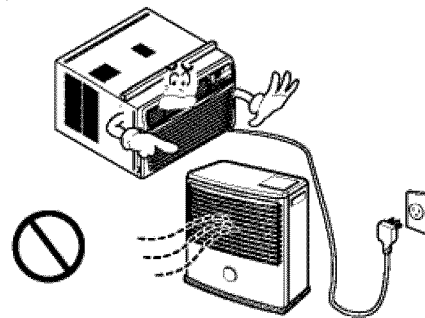
#### Always install the expansion panel(s).

- No installation may cause fire and electric shock accident.



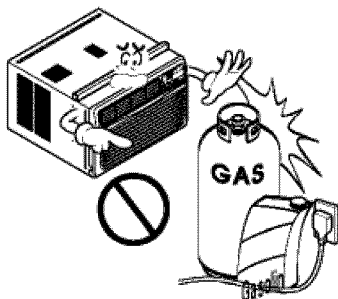
#### Do not place the power cord near a heater.

- It may cause fire and electric shock.



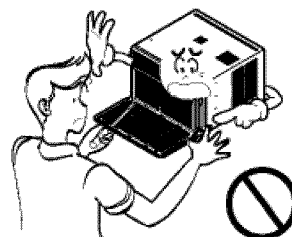
#### Do not use the power cord near flammable gas or combustibles such as gasoline, benzene, thinner, etc.

- It may cause explosion or fire.



#### Do not disassemble or modify products.

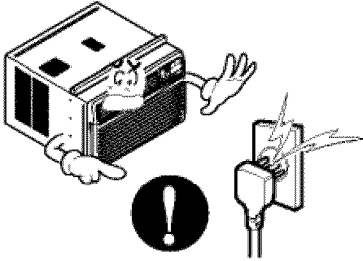
- It may cause failure and electric shock.



## ■ Operation

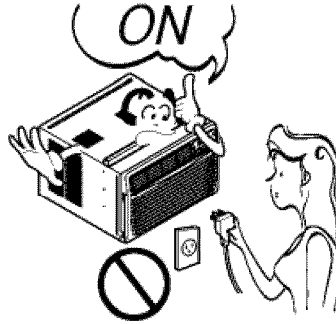
### Plug in the power plug properly.

- Otherwise, it will cause electric shock or fire due to heat generation or electric shock.



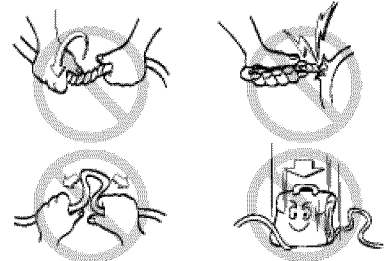
### Do not operate or stop the unit by inserting or pulling out the power plug.

- It will cause electric shock or fire due to heat generation.



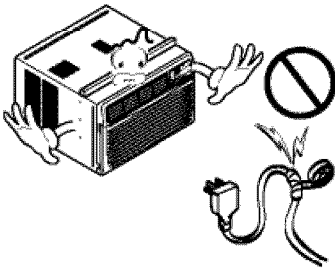
### Do not damage or use an unspecified power cord.

- It will cause electric shock or fire.



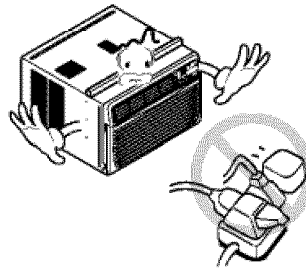
### Do not modify power cord length.

- It will cause electric shock or fire due to heat generation.



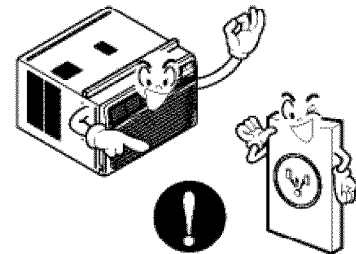
### Do not share the outlet with other appliances.

- It will cause electric shock or fire due to heat generation.



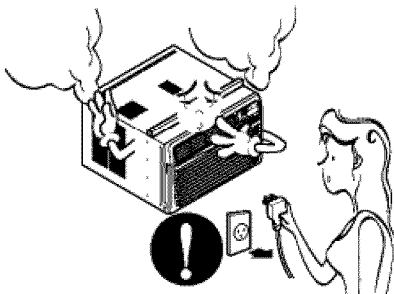
### Always plug into a grounded outlet.

- No grounding may cause electric shock (See Installation Manual).



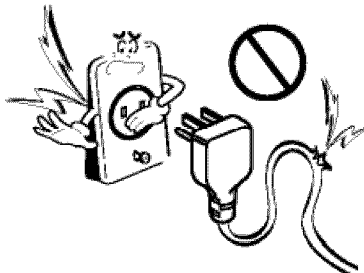
### Unplug the unit if strange sounds, odors, or smoke come from it.

- Otherwise it may cause fire and electric shock accident.



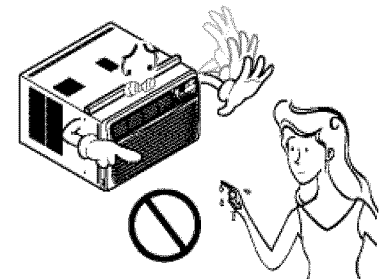
### Do not use the socket if it is loose or damaged.

- It may cause fire and electric shock.



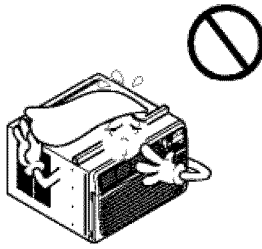
### Do not operate with wet hands or in damp environment.

- It will cause electric shock.



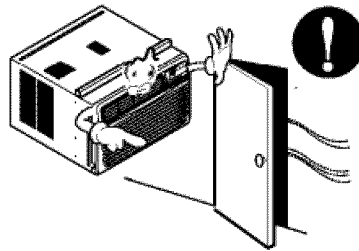
**Do not allow water to run into electric parts.**

- It will cause failure of machine or electric shock.



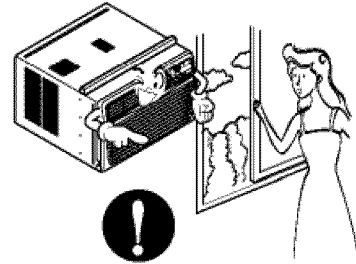
**Leave the door closed while the air conditioner is running.**

- It is not designed to cool the entire house.



**Ventilate before operating air conditioner when gas goes out.**

- It may cause explosion, fire, and burn.

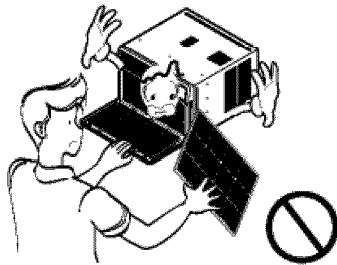


**CAUTION**

**Installation**

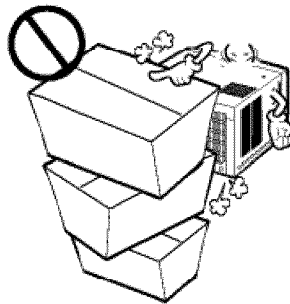
**Never touch the metal parts of the unit when removing the filter.**

- They are sharp and may cause injury.



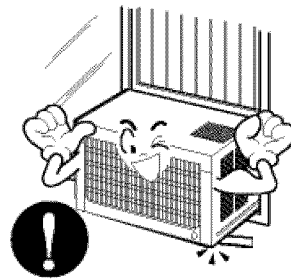
**Do not block the inlet or outlet.**

- It may cause failure of appliance or accident.



**Ensure that the outer case is not damaged by age or wear.**

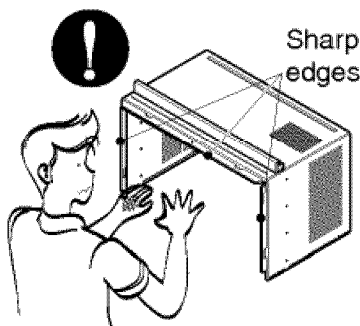
- If leaving appliance damaged, there is concern of damage due to the falling of product.



**Operation**

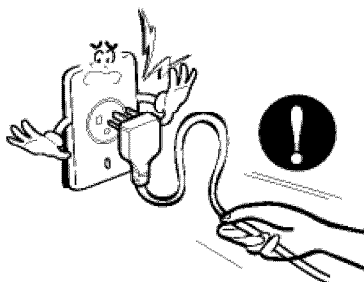
**Be cautious not to touch the sharp edges when installing.**

- It may cause injury.



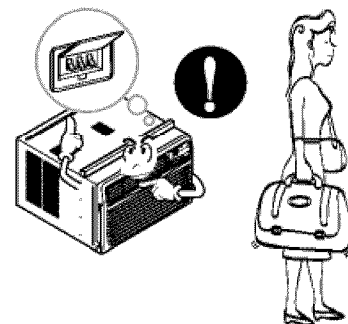
**Hold the plug by the head when taking it out.**

- It may cause electric shock and damage.



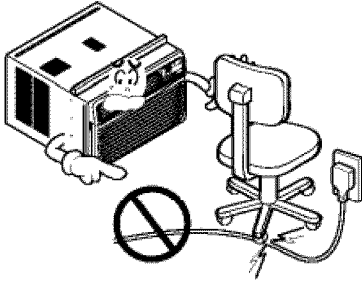
**Turn off the main power switch when not using it for a long time.**

- Prevent accidental startup and the possibility of injury.



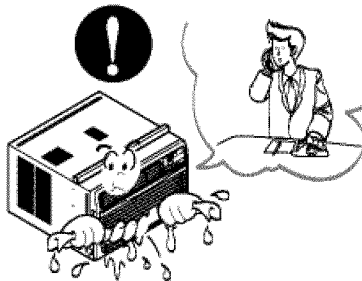
**Do not place heavy object on the power cord and take care so that the cord should not be pressed.**

- There is danger of fire or electric shock.



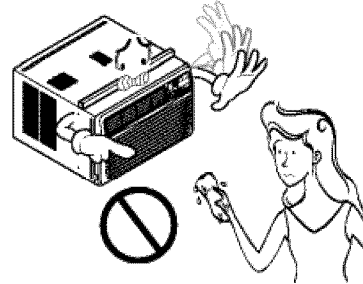
**If water enters the product, turn off the the power switch of the main body of appliance. Contact service center after taking the power-plug out from the socket.**

- It will cause electric shock or failure of machine.



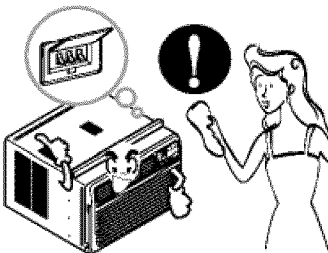
**Do not clean the air conditioner with water.**

- Water may enter the unit and degrade the insulation. It may cause an electric shock.



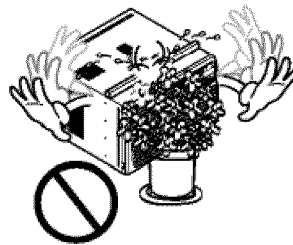
**Turn off the power and breaker firstly when cleaning the unit.**

- Since the fan rotates at high speed during operation, it may cause injury.



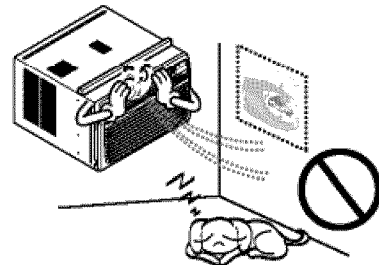
**Do not put a pet or house plant where it will be exposed to direct air flow.**

- This could injure the pet or plant.



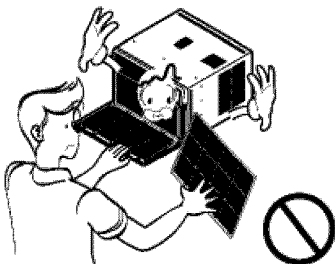
**Do not use this appliance for special purposes such as pets, foods, precision machinery, or objects of art.**

- It is an air conditioner, not a precision refrigeration system.



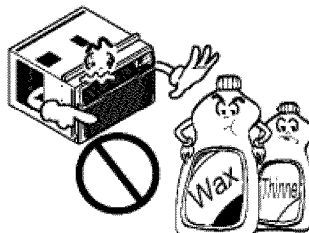
**Always insert the filter securely. Clean it every two weeks.**

- Operation without filters will cause failure.



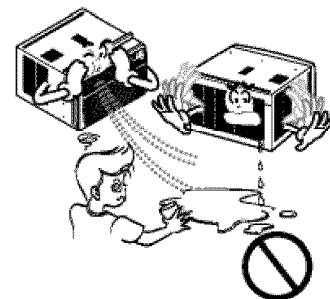
**Use a soft cloth to clean. Do not use wax, thinner, or a strong detergent.**

- The appearance of the air conditioner may deteriorate, change color, or develop surface flaws.



**Do not drink water drained from air conditioner. / Do not direct airflow at room occupants only.**

- It contains contaminants and will make you sick. / This could damage your health.



## Preparing for operation

- 1 Contact an installation specialist for installation.
- 2 Plug in the power plug properly.
- 3 Do not share the same outlet with other appliances
- 4 Do not use an extension cord.
- 5 Do not start/stop operation by plugging/unplugging the power cord.
- 6 If cord/plug is damaged, replace only with an authorized part.

## Usage

- 1 Being exposed to direct airflow for an extended period of time could be hazardous to your health. Do not expose occupants, pets, or plants to direct airflow for extended periods of time.
- 2 Due to the possibility of oxygen deficiency, ventilate the room when using together with stoves or other heating devices.
- 3 Do not use this air conditioner for non-specified special purposes (e.g. preserving precision devices, food, pets, plants, and art objects). Usage in such a manner could harm such property.

## Cleaning and maintenance

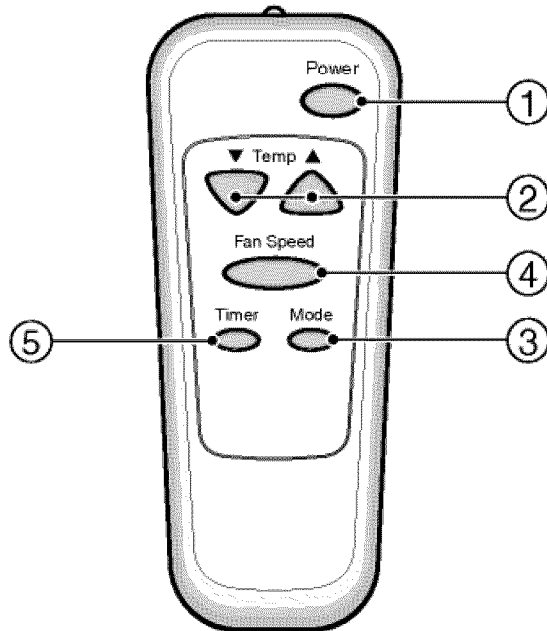
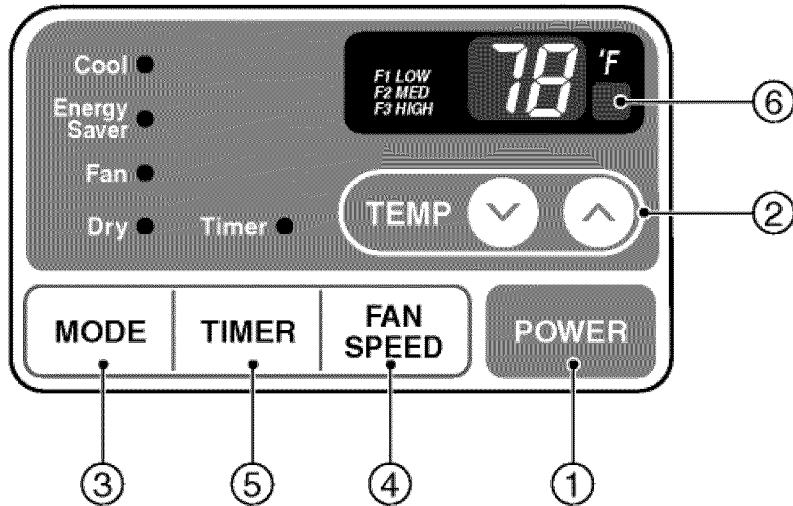
- 1 Do not use water to clean inside the air conditioner. Exposure to water can destroy the insulation, leading to possible electric shock.
- 2 When cleaning the unit, first make sure that the power and breaker are turned off. The fan rotates at a very high speed during operation. There is a possibility of injury if the unit's power is accidentally triggered on while cleaning inner parts of the unit.

## Service

For repair and maintenance, contact your authorized service dealer.

# Remote Control Operations

The remote control and control panel will look like those represented in the following pictures.





## Remote Control Operations

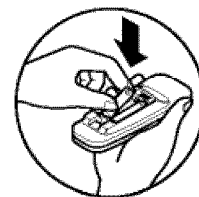
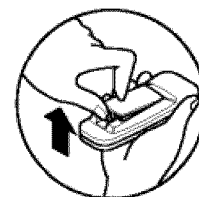
- 1 **POWER**  
Operation starts when this button is pressed and stops when you press the button again.
- 2 **TEMPERATURE CONTROL**  
The thermostat monitors room temperature to maintain the desired temperature.  
The thermostat can be set between 60°F~86°F (16°C~30°C).  
The unit takes an average of 30 minutes to adjust the room temperature by 1°F.
- 3 **OPERATION MODE SELECTOR**  
Select cooling mode to cool the room.  
Select energy saver mode for energy saving operation.  
Select fan mode for basic ventilating fan operation.  
Select dry mode for dry operation.
- 4 **FAN SPEED SELECTOR**  
For increased power while cooling, select a higher fan speed.  
3 steps: High → Low → Med
- 5 **ON/OFF TIMER**  
The timer can be set to start and stop the unit in hourly increments (up to 12 hours).
- 6 **REMOTE CONTROL SENSOR**

### AUTO RESTART

*In failure of electric power, the unit runs as previous setting operation.*

## Inserting the Remote Control Batteries

- 1 Push out the cover on the back of the remote control with your thumb
- 2 Pay attention to polarity and insert two new AAA 1.5V batteries.
- 3 Reattach the cover.

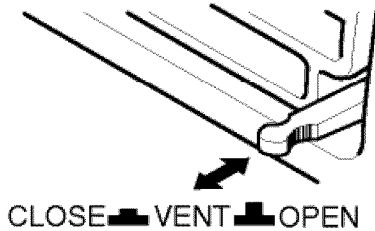


**NOTICE** : Do not use rechargeable batteries. Make sure that both batteries are new.

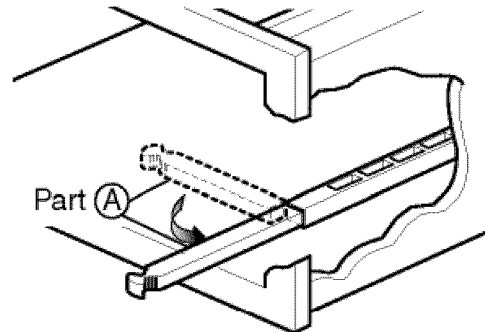
- In order to prevent discharge, remove the batteries from the remote control if the air conditioner is not going to be used for an extended period of time  
Keep the remote control away from extremely hot or humid places.  
To maintain optimal operation of the remote control, the remote sensor should not be exposed to direct sunlight.
- The remote control can be mounted on a wall using the mountable holder.

## Vent Control

For maximum cooling efficiency, CLOSE the vent. This will allow internal air circulation.  
OPEN the vent to discharge stale air.



**NOTICE** : Before using the ventilation feature, position the vent lever straight by pulling Part A out and snapping it into place.

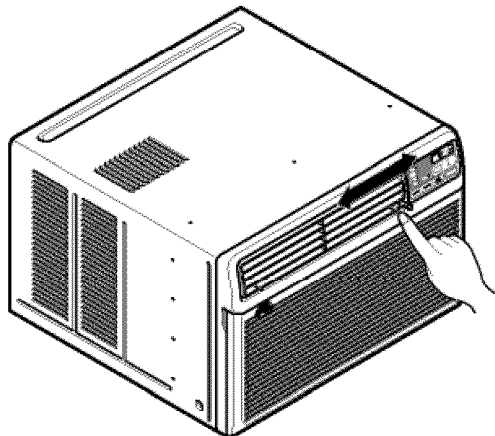


## Adjusting the Air Flow Direction

Airflow can be adjusted by changing the direction of the air conditioner's louvers. This can also increase the cooling efficiency of the air conditioner.

- **Adjusting Horizontal Air Flow Direction**

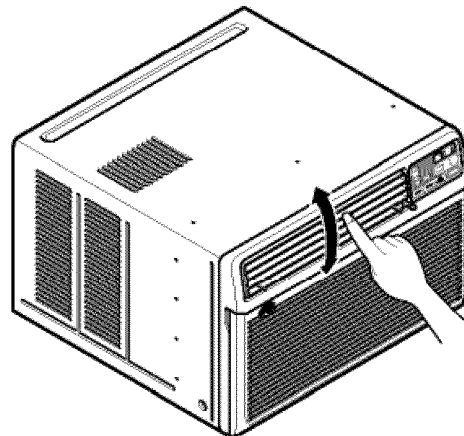
Adjusting the vertical louvers left and right will change horizontal airflow.



Adjusting horizontal air flow

- **Adjusting Vertical Air Flow Direction**

Adjusting the horizontal vane up and down will change vertical airflow. The vane can be adjusted by nudging the vane backward or forward.



Adjusting vertical air flow

- **Recommended orientation of louvers**

Adjust louvers to face upwards when cooling to maximize cooling efficiency.

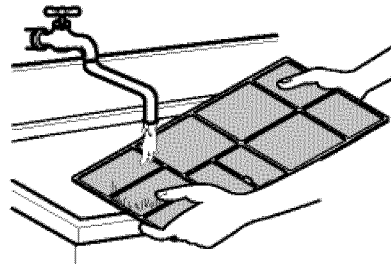
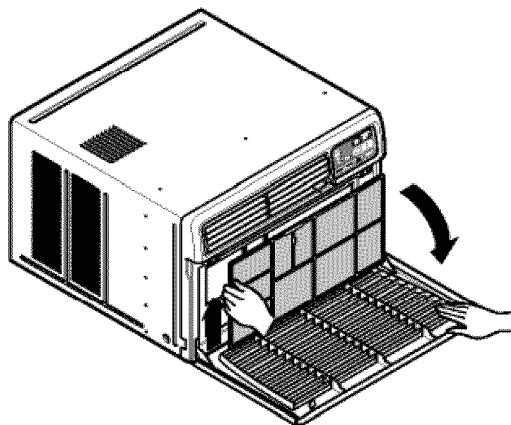
Turn the power off and unplug the power plug before cleaning the air conditioner.

## Air Filter

The air filter behind the inlet grille should be checked and cleaned at least once every 2 weeks (or as necessary) to maintain optimal performance of the air conditioner.

### How to remove the air filter

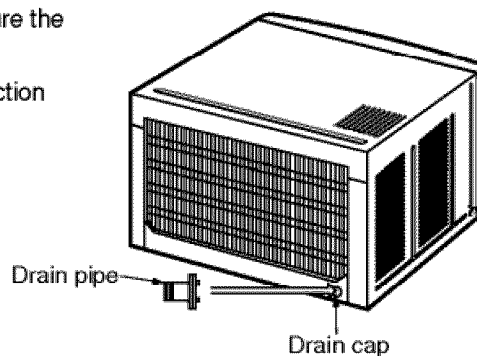
- 1 The grille may be opened from the top for easy maintenance after installation.
- 2 Open the inlet grille by pulling off the exposed door on the top of the unit (based on installation).
- 3 Pull the tab slightly to release the filter. Pull the filter in the same direction as the opening.
- 4 Clean the filter with warm, soapy water. The water should be below 40°C (104°F).
- 5 Rinse off and gently shake off excess water from the filter. Let it dry before replacing it.



## Drainage

The base pan may overflow due to high humidity. To drain the excess water, remove the drain cap from the back of the unit and secure the drainpipe.

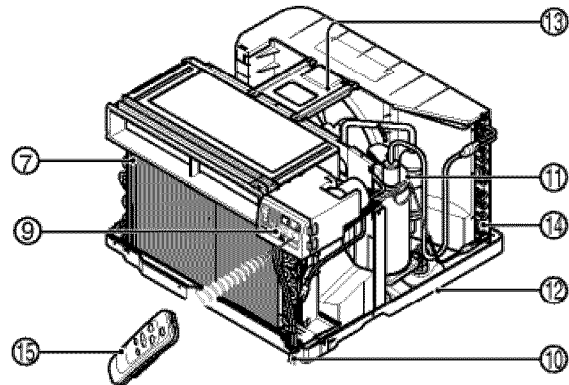
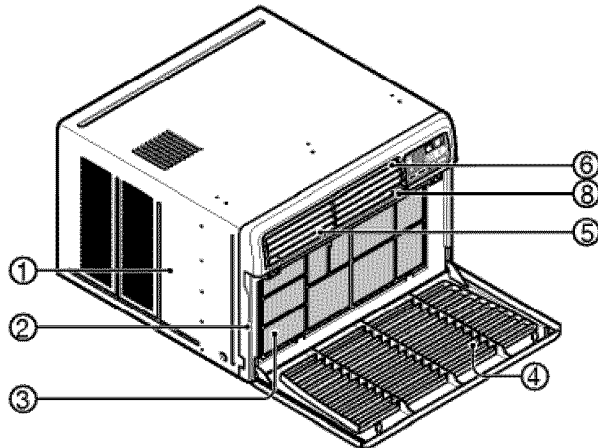
When pressing the drainpipe into place, apply force in the direction away from the fins to avoid injuring yourself.



Product Features



**CAUTION:** This appliance should be installed in accordance with national wiring regulations. The following information serves acts as a guide to help to explain product features.



1. CABINET
2. FRONT GRILLE
3. AIR FILTER
4. AIR INTAKE (INLET GRILLE)
5. AIR DISCHARGE
6. VERTICAL AIR DEFLECTOR (HORIZONTAL LOUVER)
7. EVAPORATOR

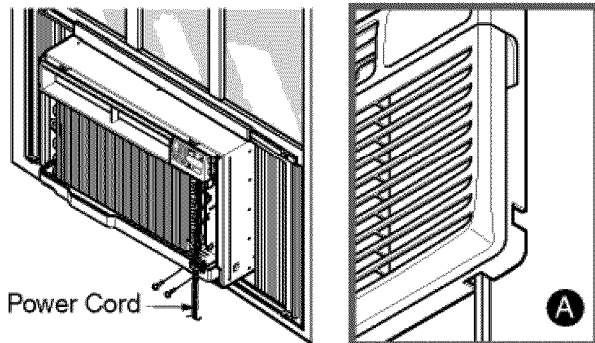
8. HORIZONTAL AIR DEFLECTOR (VERTICAL LOUVER)
9. CONTROL PANEL
10. POWER CORD
11. COMPRESSOR
12. BASE PAN
13. BRACE
14. CONDENSER
15. REMOTE CONTROLLER

Installing the Power cord

You can choose between two methods below according to your window stool shape and preference.

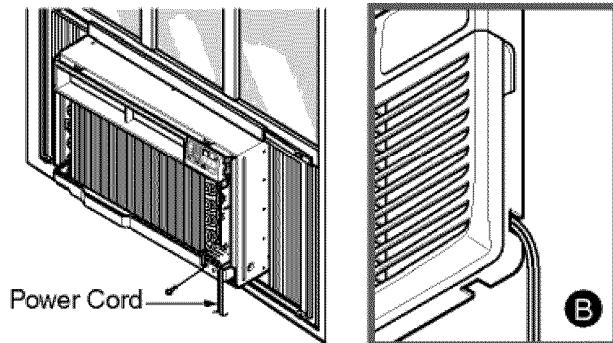
Using slit "A"

- Fasten the stopper using 2 screw holes, and lead out the power cord through slit "A".



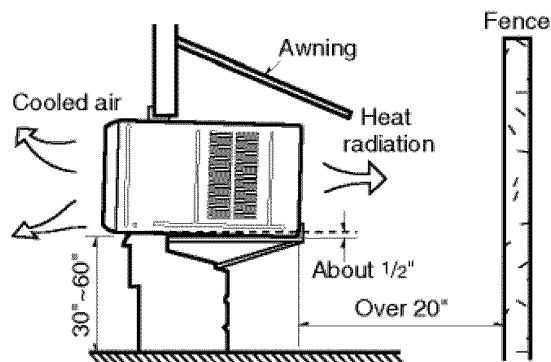
Using slit "B"

- Fasten the stopper using left screw hole, and rotate properly to lead the power cord out through slit "B".



## How to Install the Unit

- 1 To prevent vibration and noise, make sure the unit is installed securely and firmly.
- 2 Install the unit where the sunlight does not shine directly on the unit.
- 3 There should be no obstacles, such as a fence and wall, within 20" from the back of the cabinet because it will prevent heat radiation of the condenser. Restriction of outside air will greatly reduce the cooling efficiency of the air conditioner.



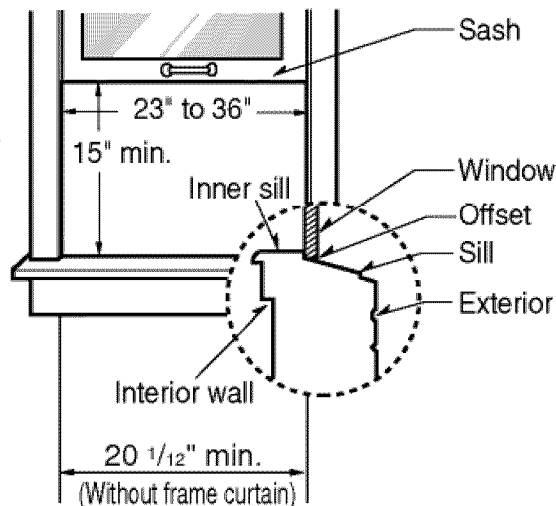
**CAUTION:** All side louvers of the cabinet must remain exposed to the outside of the structure.

- 4 Install the unit a little slanted so the back is slightly lower than the front (about 1/2"). This will force condensed water to flow to the outside.
- 5 Install the unit with the bottom about 30"~60" above the floor level.

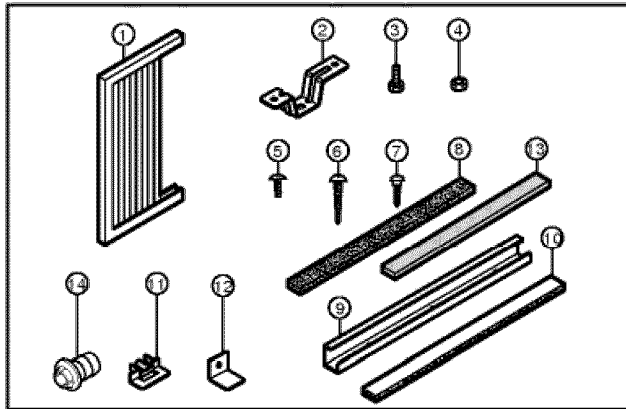
## Window Requirements

**NOTICE :** All supporting parts should be secured to firm wood, masonry, or metal.

- This unit is designed for installation in standard double hung windows with actual opening widths from 23" to 36".
- The top and bottom window sash must open sufficiently to allow a clear vertical opening of 15" from the bottom of the upper sash to the window stool.



## Installation Kits Contents



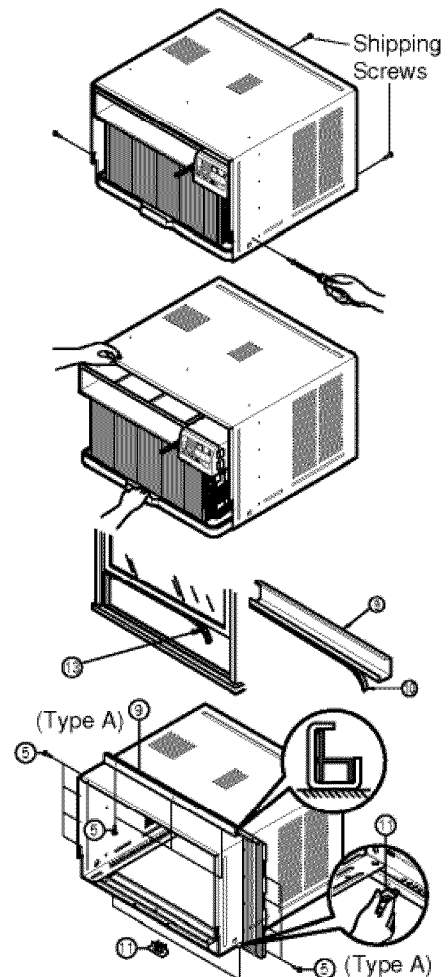
| NO. | NAME OF PARTS          | Q'TY |
|-----|------------------------|------|
| 1   | FRAME CURTAIN          | 2    |
| 2   | SILL SUPPORT           | 2    |
| 3   | BOLT                   | 2    |
| 4   | NUT                    | 2    |
| 5   | SCREW (TYPE A)         | 16   |
| 6   | SCREW (TYPE B)         | 3    |
| 7   | SCREW (TYPE C)         | 5    |
| 8   | FOAM-STRIP             | 1    |
| 9   | UPPER GUIDE            | 1    |
| 10  | FOAM-PE                | 1    |
| 11  | FRAME GUIDE            | 2    |
| 12  | WINDOW LOCKING BRACKET | 1    |
| 13  | FOAM-PE                | 1    |
| 14  | DRAIN PIPE             | 1    |

## Suggested Tool Requirements

SCREWDRIVER(Philips and Flatead), RULER, KNIFE, HAMMER, PENCIL, LEVEL

### PREPARATION OF CHASSIS

- 1 Remove the screws which fasten the cabinet at both sides and at the back.
- 2 Slide the unit from the cabinet by gripping the base pan handle and pulling forward while bracing the cabinet.
- 3 Cut the window sash seal to the proper length. Peel off the backing and attach the Foam-PE ⑬ to the underside of the window sash.
- 4 Remove the backing from the top upper guide Foam-PE ⑩ and attach it to the bottom of the Upper Guide ⑨.
- 5 Attach the upper guide onto the top of the cabinet with 3 Type A screws ⑤.
- 6 Insert the Frame Guides ⑪ into the bottom of the cabinet.
- 7 Insert the Frame Curtain ① into the Upper Guide ⑨ and Frame Guides ⑪.
- 8 Fasten the curtains to the unit with 4 Type A screws ⑤.



## Cabinet Installation

- 1 Open the window. Mark a line on center of the window stool.  
Carefully place the cabinet on the window stool and align the center mark on the bottom front with the center line marked in the window stool.

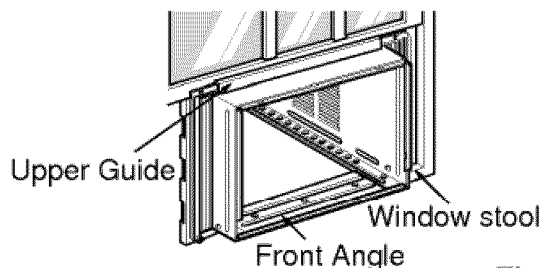


Fig. 1

- 2 Pull the bottom window sash down behind the Upper Guide ⑨ until it meets.

**NOTE:** Do not pull the window sash down tightly that the movement of Frame Curtain ① is restricted.

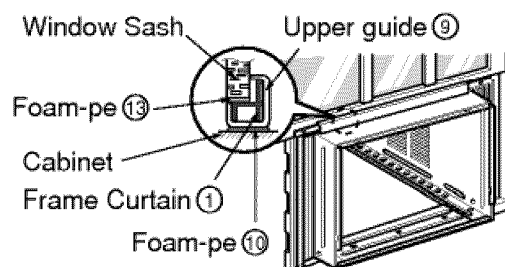


Fig. 2

- 3 Loosely assemble the Sill Support ② using the parts in Fig. 3.

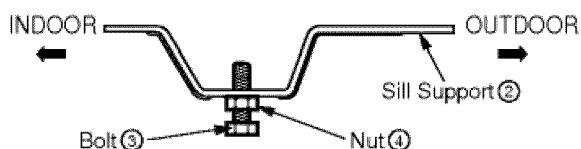


Fig. 3

- 4 Select the position that will place the Sill Support ② near the outer most point on sill (See Fig. 4)

**NOTE:** Be careful when you install the cabinet (Frame Guides ⑪ are broken easily).

- 5 Attach the Sill Support ② to the cabinet track hole in relation to the selected position using 2 Type A screws in each support (See Fig. 4).

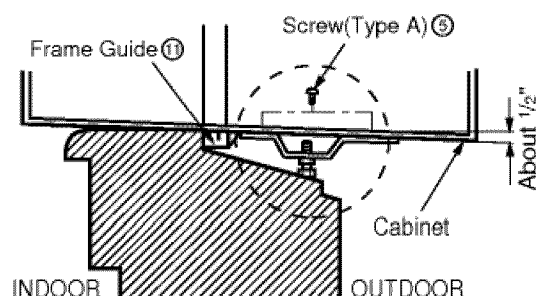
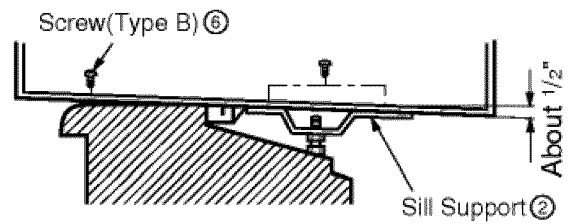
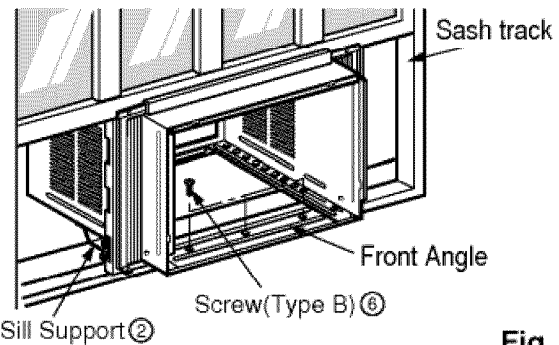


Fig. 4

- 6 The cabinet should be installed with a very slight tilt (about 1/2") downward toward the outside (See Fig. 5).  
Adjust the bolt and the nut of Sill Support 2 for balancing the cabinet.



- 7 Attach the cabinet to the window stool by driving the screws 6 (Type B: Length 16mm (5/8 inch) and below.) through the front angle into window stool.



- 8 Pull each Frame Curtain 1 fully to each window sash track, and repeat step 2.

- 9 Attach each Frame Curtain 1 the window sash using screws 7 (Type C). (See Fig. 6)

**CAUTION:** Do not drill a hole in the bottom pan.  
The unit is designed to operate with approximately 1/2" of water in bottom pan.  
There is no need to add water if the pan is dry.

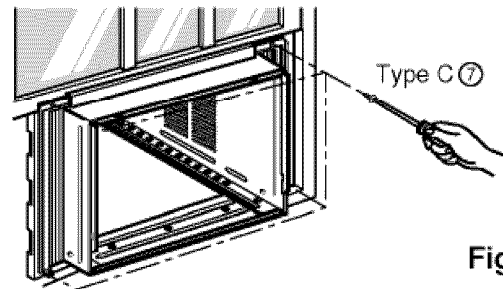


Fig. 5

Fig. 6

- 10 Slide the unit into the cabinet. (See Fig. 7)

**CAUTION:** For security purpose, reinstall screws (Type A) at cabinet's sides.

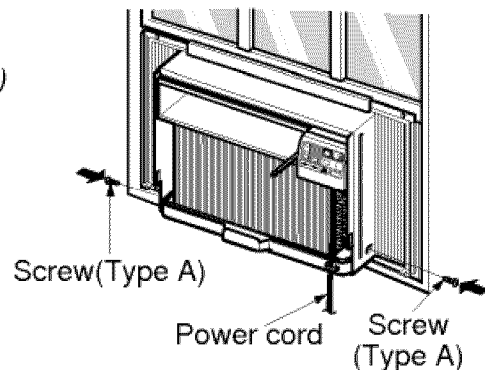


Fig. 7

- 11 Cut the Foam-Strip 8 to the proper length and insert between the upper window sash and the lower window sash. (See Fig. 8)

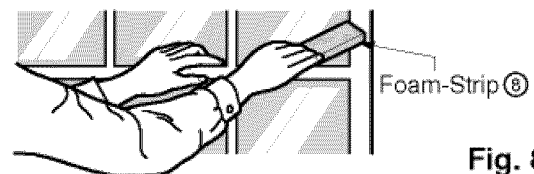


Fig. 8



- 12 Attach the Window Locking Bracket 12 with a Type C screw 7. (See Fig. 9)

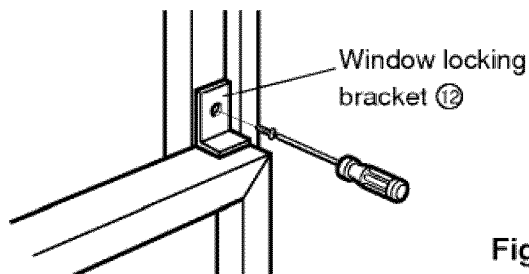


Fig. 9

- 13 Attach the front grille to the cabinet by inserting the tabs on the grille into the tabs on the front of the cabinet. Push the grille in until it snaps into place. (See Fig. 10)

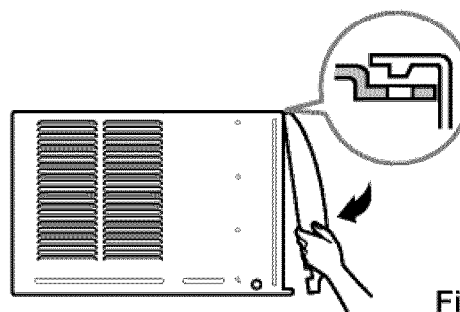


Fig. 10

- 14 Pull down the inlet grille and secure it with a Type A screw 5 through the front grille. (See Fig. 11)

- 15 Window installation of room air conditioner is now completed. See ELECTRICAL DATA for attaching power cord to electrical outlet.

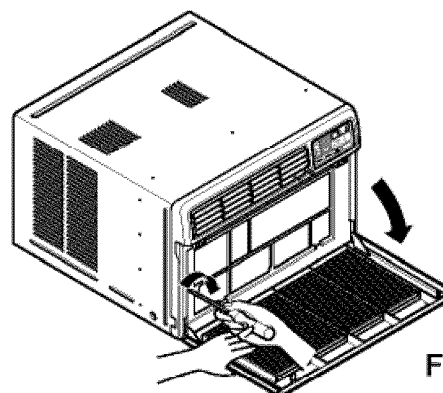


Fig. 11

### Electrical Data

| Line Cord Plug  | Use Wall Receptacle  | Power Supply   |
|---|--|--|
| <p>Do not under any circumstances cut or remove the grounding prong from the plug.</p> <p>Power supply cord with 3-prong grounding plug</p> | <p>Standard 125V, 3-wire grounding receptacle rated 15A, 125V AC</p> | <p>Use 15 AMP, time delay fuse or circuit breaker.</p> |

### Use of extension cords

- Because of potential safety hazards, we strongly discourage the use of an extension cord. However, if you wish to use an extension cord, use a CSA certified/UL-listed 3-wire (grounding) extension cord, rated at 15A, 125V.

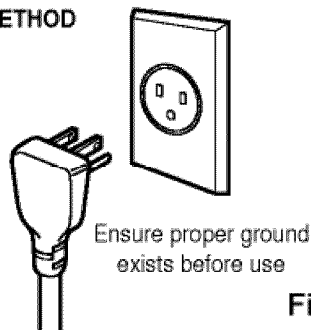
## Electrical Safety

### **IMPORTANT (PLEASE READ CAREFULLY)**

#### **FOR THE USER'S PERSONAL SAFETY, THIS APPLIANCE MUST BE PROPERLY GROUNDED**

The power cord of this appliance is equipped with a three-prong (grounding) plug. Use this with a standard three-slot (grounding) wall power outlet (Fig. 12) to minimize the hazard of electric shock. The customer should have the wall receptacle and circuit checked by a qualified electrician to make sure the receptacle is properly grounded.

#### **PREFERRED METHOD**

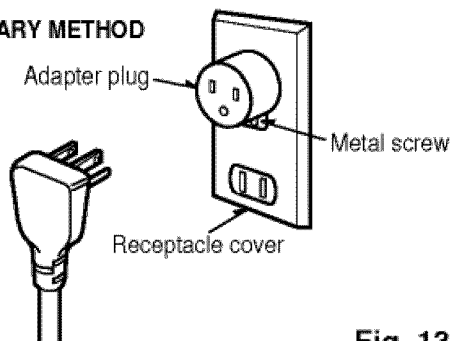


**Fig. 12**

**DO NOT CUT OR REMOVE THE THIRD (GROUND) PRONG FROM THE POWER PLUG.**

#### **A. SITUATIONS WHEN THE APPLIANCE WILL BE DISCONNECTED OCCASIONALLY:**

#### **TEMPORARY METHOD**



**Fig. 13**

Because of potential safety hazards, we strongly discourage the use of an adapter plug. However, if you wish to use an adapter, a TEMPORARY CONNECTION may be made. Use UL-listed adapter, available from most local hardware stores (Fig. 13). The large slot in the adapter must be aligned with the large slot in the receptacle to assure a proper polarity connection.

**CAUTION:** *Attaching the adapter ground terminal to the wall receptacle cover screw does not ground the appliance unless the cover screw is metal, and not insulated, and the wall receptacle is grounded through the house wiring. The customer should have the circuit checked by a qualified electrician to make sure the receptacle is properly grounded.*

Disconnect the power cord from the adapter, using one hand on each. Otherwise, the adapter ground terminal might break. **DO NOT USE** the appliance with a broken adapter plug.

#### **B. SITUATIONS WHEN THE APPLIANCE WILL BE DISCONNECTED OFTEN.**

Do not use an adapter plug in these situations. Unplugging the power cord frequently can lead to an eventual breakage of the ground terminal. The wall power outlet should be replaced by a three-slot (grounding) outlet instead.

#### **USE OF EXTENSION CORDS**

Because of potential safety hazards, we strongly discourage the use of an extension cord. However, if you wish to use an extension cord, use a CSA certified/UL-listed 3-wire (grounding) extension cord, rated at 15A, 125V.

Before calling for service, please review the following list of common problems and solutions.

**The air conditioner is operating normally when:**

- You hear a pinging noise. This is caused by water being picked up by the condenser on rainy days or in highly humid conditions. This feature is designed to help remove moisture in the air and improve cooling efficiency.
- You hear the thermostat click. This is caused by the compressor cycle starting and stopping.
- You see water dripping from the rear of the unit. Water may be collected in the base pan in highly humid conditions or on rainy days. This water overflows and drips from the rear of the unit.
- You hear the fan running while the compressor is silent. This is a normal operational feature.

**The air conditioner may be operating abnormally when:**

| Problem  | Possible Causes   | What To Do  |
|--|---|---|
| <b>The air conditioner does not operate at all</b> | ■ The air conditioner is unplugged or not plugged in completely | • Make sure the plug is completely plugged into the outlet  |
|  | ■ The fuse is blown/circuit breaker is triggered                | • Check the fuse/circuit breaker box and replace the fuse or reset the breaker  |
|  | ■ Power failure.  | • In the event of a power failure, set the power control to OFF. When the power is restored, wait 3 minutes to restart the air conditioner to prevent the compressor from overloading |
| <b>Air conditioner does not cool</b>               | ■ Air flow is restricted  | • Make sure there are no curtains, blinds, furniture or other obstacles in front of the air conditioner   |
|  | ■ The THERMOSTAT may not be set cool enough                     | • Turn the knob to a higher setting. The highest setting provides maximum cooling   |
|  | ■ The air filter is dirty.                                      | • Clean the filter at least every 2 weeks. Refer to the "Care and Maintenance" section (p.11) of the manual.  |
|  | ■ The air conditioner was just turned on.                       | • After the air conditioner is turned on, you need to give the air conditioner some time to cool the room.  |
|  | ■ Cold air is escaping.   | • Check for open furnace floor registers and cold air returns.<br>• CLOSE the air conditioner vent  |
| <b>Ice appears on the air conditioner.</b>         | ■ Cooling coils are iced up                                     | • See <i>Ice appears on the air conditioner</i> below   |
|  | ■ The cooling coils are iced over.                              | • Ice may block the air flow and obstruct the air conditioner from properly cooling the room. Set the fan at MED or HIGH while setting the thermostat at 1 or 2 until the ice melts.  |

# Memo

# TABLA DE CONTENIDOS

1. Precauciones de seguridad

2. Instrucciones operativas

3. Cuidado y mantenimiento

4. Instalación de la unidad

5. Problemas habituales



## PARA SUS ARCHIVOS

Escriba aquí el modelo y número de serie:

Modelo n°: \_\_\_\_\_

Serie n°: \_\_\_\_\_

Puede encontrar estos datos en la etiqueta situada en el lateral de cada unidad.

Nombre del distribuidor: \_\_\_\_\_

Fecha de compra: \_\_\_\_\_

■ Adjunte su recibo a esta página con la grapadora para el momento que lo necesite para probar la fecha de su adquisición o para la validación de la garantía.



## LEA ESTE MANUAL

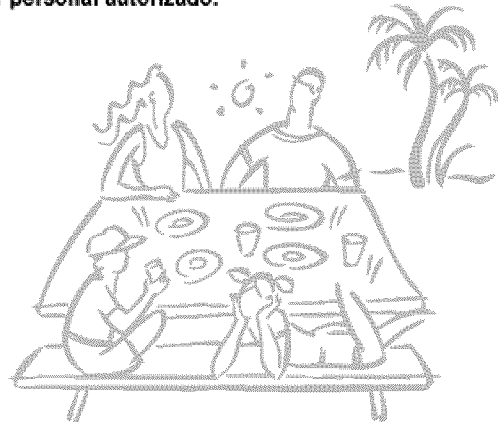
En su interior encontrará muchos consejos útiles sobre la utilización y mantenimiento de su acondicionador de aire. Unos pocos cuidados por su parte le pueden ahorrar mucho tiempo y dinero durante la vida de su acondicionador de aire. En la tabla de consejos para la solución rápida de problemas encontrará muchas respuestas a los problemas más habituales. Si revisa primero nuestra **Tabla de Consejos** para la solución rápida de problemas, tal vez no necesite llamar nunca al servicio técnico.

ESPAÑOL



## PRECAUCIÓN

- Póngase en contacto con un técnico del servicio autorizado para realizar la reparación y mantenimiento de esta unidad.
- Póngase en contacto con un instalador para realizar la instalación de esta unidad.
- Cuando se va a cambiar el cable eléctrico, el trabajo de reemplazamiento debe ser realizado únicamente por personal autorizado, utilizando las piezas de cambio genuinas únicamente.
- El trabajo de reemplazamiento debe ser realizado de acuerdo con el Código Eléctrico Nacional únicamente por personal autorizado.





Para prevenir tanto lesiones al usuario u otras personas como daños materiales, es preciso seguir estas instrucciones.

- El manejo incorrecto debido a la instrucción ignorada puede causar lesiones o daños cuya gravedad está clasificada en las siguientes indicaciones.

**⚠ ADVERTENCIA** Este símbolo indica la posibilidad de lesiones mortales o graves.

**⚠ PRECAUCION** Este símbolo indica la posibilidad de lesiones o daños materiales.

- El significado de los símbolos utilizados en este manual se indica a continuación.

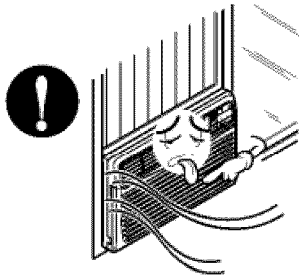
|   |   |
|---|---|
|  | <b>Asegúrese de no hacerlo.</b>               |
|  | <b>Asegúrese de seguir las instrucciones.</b> |

## ⚠ ADVERTENCIA

### ■ Instalación

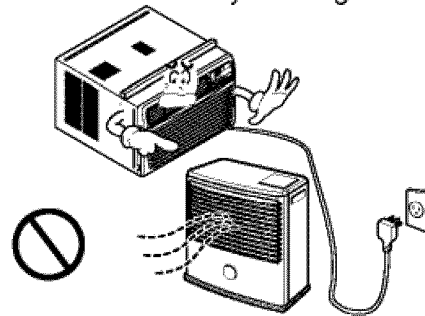
**Instale siempre el (los) panel(es) de expansión.**

- No instalarlo puede causar incendio y/o accidente eléctrico.



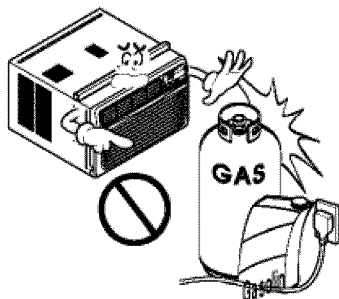
**No coloque el cable eléctrico cerca de un calefactor.**

- Puede causar incendio y descarga eléctrica.



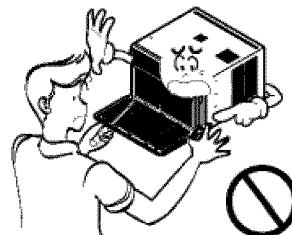
**No use el cable de corriente cerca de gas inflamable o combustibles tales como gasolina, benzina, solvente, etc.**

- Puede causar explosión o incendio.



**No desarme o modifique los productos.**

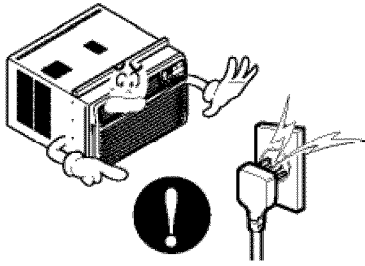
- Puede causar fallos y descarga eléctrica.



## ■ Funcionamiento

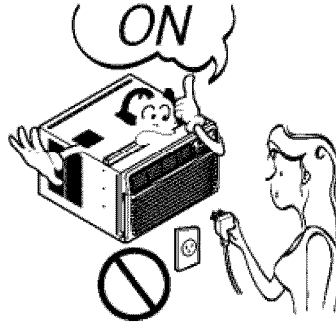
### Enchufe la corriente adecuadamente.

- De otro modo, causará descarga eléctrica o incendio debido a la generación de calor.



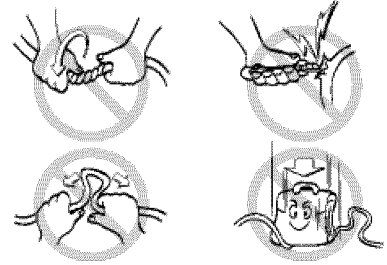
### No haga funcionar o detenga la unidad insertando o tirando del enchufe.

- Causará descarga eléctrica o incendio debido a la generación de calor.



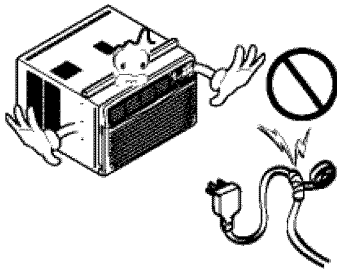
### No dañe ni use un cable no especificado.

- Causará descarga eléctrica o incendio.



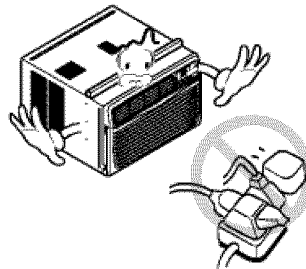
### No modifique la longitud del cable de corriente eléctrica.

- Causará descarga eléctrica o incendio debido a la generación de calor.



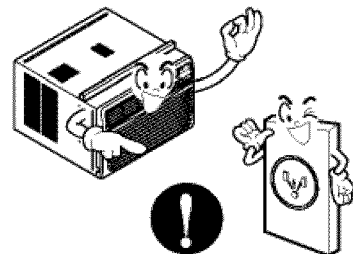
### No comparta la salida con otros artefactos.

- Causará descarga eléctrica o incendio debido a la generación de calor.



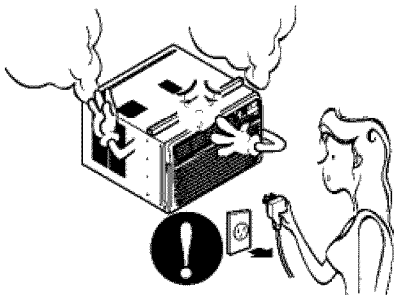
### Siempre enchufe las piezas eléctricas en una salida conectada a masa.

- Si no hay conexión a masa, se puede producir una descarga eléctrica. (Vea el Manual de instalación.)



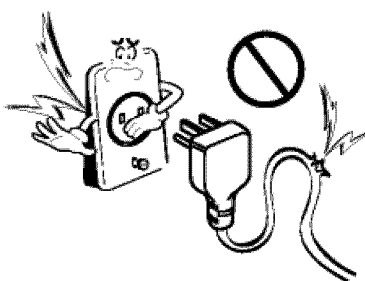
### Desenchufe la unidad si se producen sonidos u olores extraños en la unidad.

- En caso que no, puede causar incendio y accidente de corto circuito.



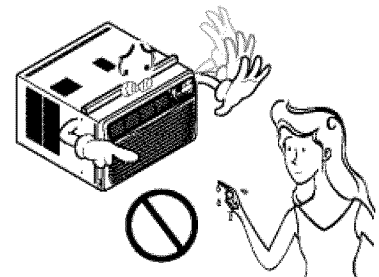
### No use el tomacorriente si está suelto o dañado.

- Puede causar incendio y accidente eléctrico.



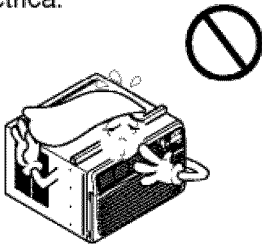
### No haga funcionar la unidad con las manos húmedas o en un ambiente húmedo.

- Puede causar descarga eléctrica.



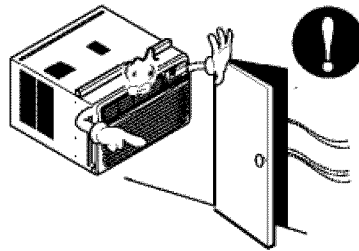
**No permita la entrada de agua.**

- Puede causar una falla del motor o una descarga eléctrica.



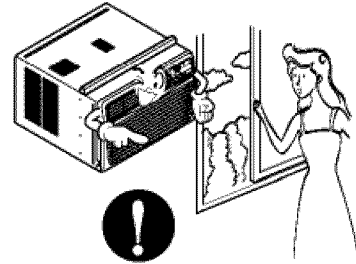
**Deje la puerta cerrada mientras está operando el aire acondicionado.**

- Ésta no está diseñado para enfriar la casa entera.



**Ventile antes de hacer funcionar el acondicionador de aire cuando sale el gas.**

- Puede causar explosión, incendio, quemaduras.

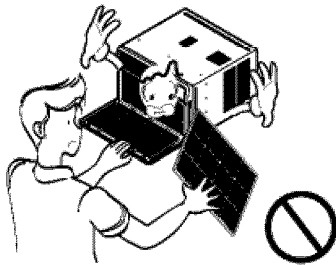


## **PRECAUCION**

### ■ Instalación

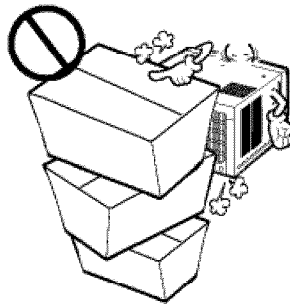
**Nunca toque las piezas de metal de la unidad cuando quite el filtro.**

- Son filosas y pueden causar lesiones.



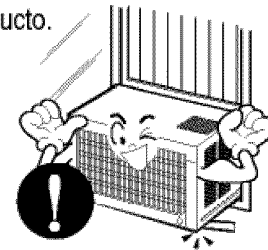
**No bloquee la entrada o la salida de aire.**

- Puede causar fallos en la unidad o accidentes.



**Asegúrese de que la caja externa no está dañada por los años o desgaste.**

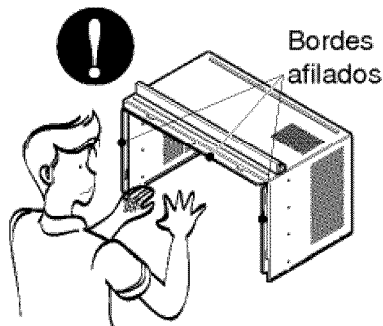
- Si se deja la unidad averiada, hay posibilidad de daños debido a que esta puede caer. Hay responsabilidad sobre el daño debido a falla del producto.



### ■ Funcionamiento

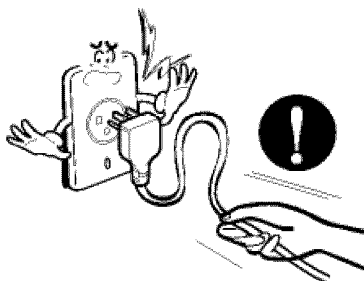
**Al momento de su instalación, evite que se contacte con los bordes afilados.**

- Hay riesgo de lesiones personales.



**Sostenga el enchufe por el cuerpo (no del cable) cuando lo saque.**

- Puede causar descarga eléctrica y daño.



**Desconecte el interruptor principal de energía cuando no lo esté usando.**

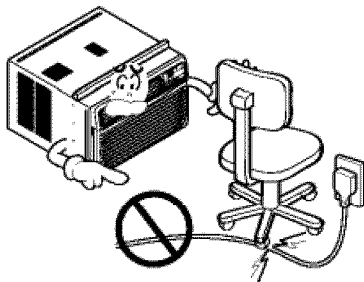
- Prevenga un arranque accidental y la posibilidad de lesiones.





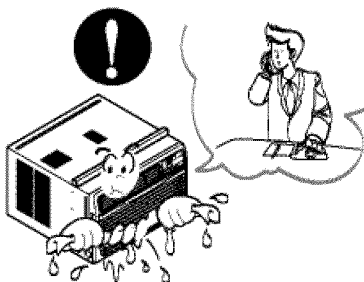
**No coloque objetos sobre el cable de corriente y cuide que el cable no quede presionado.**

- Hay peligro de incendio o de descarga eléctrica.



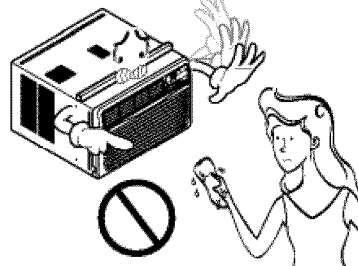
**Si entra agua a la unidad, gire el interruptor principal del artefacto. Tome contacto con el centro de servicio después de desconectar el enchufe del tomacorriente.**

- Causará descarga eléctrica o incendio.



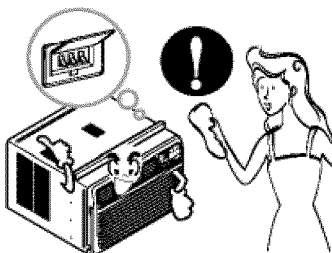
**No limpie la unidad de aire acondicionado con agua.**

- Puede entrar agua en la unidad y disminuir la aislación. Puede causar una descarga eléctrica.



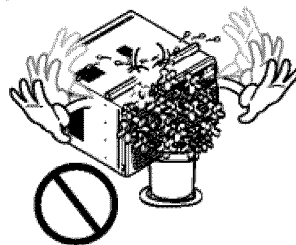
**Cuando limpie la unidad, asegúrese primero de que estén desconectados la energía y el interruptor.**

- Como el ventilador gira a alta velocidad cuando está funcionando, puede causar lesiones.



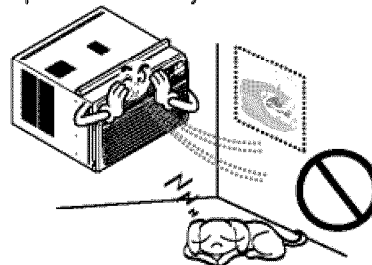
**No coloque una mascota o una planta donde quede expuesto al flujo directo de aire.**

- Este puede causar lesiones o daños en la mascota o la planta.



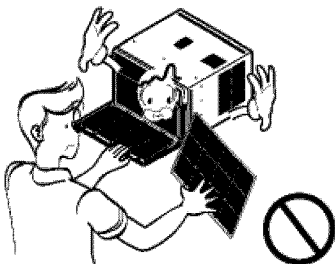
**No use la unidad para propósitos especiales tales como animals o vegetales, máquinas de precision u objetos de arte.**

- Puede causar daño a los animales o vegetales y pérdida de objetos.



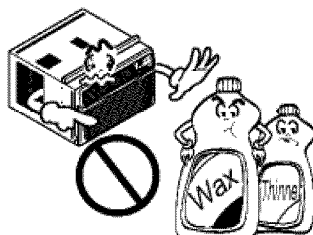
**Siempre asegure los filtros al insertarlos. Limpielos cada dos semanas.**

- El funcionamiento sin filtros puede dañar la unidad.



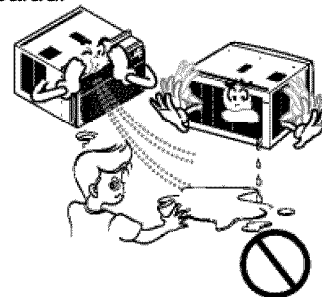
**Use una paño suave para limpiar. No use ceras, solventes o un detergente fuerte**

- La unidad del aire acondicionado puede deteriorarse, cambiar de color, o desarrollar manchas en la superficie.



**No beba el agua drenada del acondicionador de aire. No dirija el flujo de aire sólo a los ocupantes de la habitación.**

- Contiene elementos que pueden ser nocivos para su salud. / Esto puede dañar su salud.



### *Preparar para el funcionamiento*

- 1 Contactar un especialista para la instalación.
- 2 Coloque el enchufe correctamente.
- 3 No comparta la salida con otros artefactos.
- 4 No use un cable de extensión.
- 5 No arranque/detenga el funcionamiento enchufando/desenchufando el cable de corriente eléctrica.
- 6 Si cuerda/tapón se daña, reemplace sólo con una parte autorizada.

### *Uso*

- 1 Estar expuesto al flujo directo de aire por un período largo de tiempo puede constituir un riesgo para su salud. No exponga a las personas, mascotas o plantas al flujo directo por períodos largos de tiempo.
- 2 Debido a la posibilidad de una deficiencia de oxígeno, ventile la habitación cuando utilice al mismo tiempo estufas u otros aparatos de calefacción.
- 3 No use este acondicionador de aire para propósitos determinados no especificados (por ej.: preservar dispositivos de precisión, alimentos, cachorros, plantas y objetos de arte). Usarlo de esta manera puede dañar tales elementos.

### *Limpieza y mantenimiento*

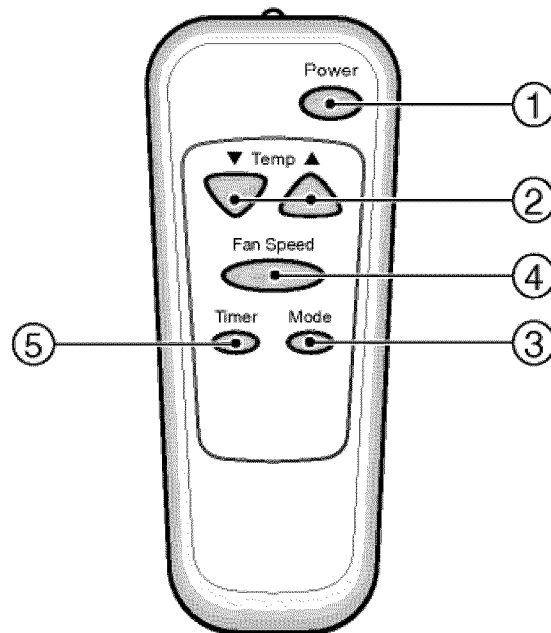
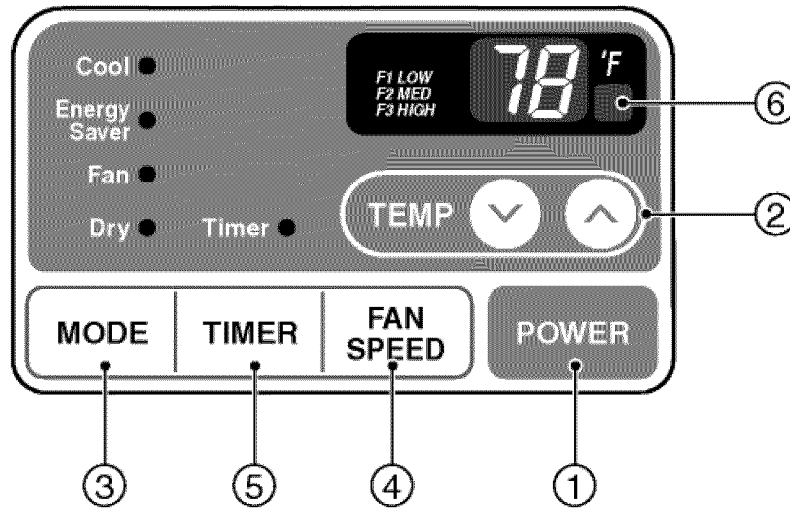
- 1 No use agua para limpiar adentro del acondicionador. La exposición al agua puede destruir la aislación y esto a su vez provocar una descarga eléctrica.
- 2 Cuando limpie la unidad, asegúrese que la corriente y el interruptor estén desconectados. El ventilador gira a muy alta velocidad cuando está funcionando. Existe la posibilidad de lesionarse si la energía se conecta accidentalmente cuando esté limpiando las piezas internas de la unidad.

### *Servicio*

Para reparación y mantenimiento, contacte a su proveedor de servicio.

## Funcionamiento del control remoto

El control remoto y el panel de control tendrán un aspecto parecido al de los que aparecen en la fotografía más abajo.



## Funcionamiento del control remoto

- 1 POWER (encendido)**  
El funcionamiento se inicia cuando se pulsa esta tecla y se detiene cuando se la presiona nuevamente.
- 2 CONTROL DE TEMPERATURA**  
El termostato monitorea la temperatura de la habitación para mantener la temperatura deseada.  
El termostato puede ser colocado entre 60°F~86°F (16°C~30°C).  
La unidad toma un promedio de 30 minutos para ajustar la temperatura de la habitación en 1°F.
- 3 FUNCIONAMIENTO DEL MODO SELECTOR**  
Seleccione el modo fresco (cool) para enfriar la habitación.  
Seleccione el modo de ahorro de energía para el funcionamiento del ahorro de energía.  
Seleccione el modo ventilador (fan) para el funcionamiento del ventilador.  
Seleccione el modo seco (dry) para el funcionamiento seco.
- 4 SELECTOR DE VELOCIDAD DEL VENTILADOR (FAN SPEED)**  
Para aumentar la capacidad mientras se refresca, seleccione una mayor velocidad del ventilador.  
3 Pasos: High (alta) → Low (baja) → Med (media)
- 5 CRONÓMETRO ON/OFF (ENCENDIDO/APAGADO)** El cronómetro puede ser colocado para iniciar y detener la unidad en incrementos por hora (hasta 12 horas).
- 6 SENSOR DEL CONTROL REMOTO**

## AUTO-ARRANQUE

En caso de fallo de la corriente eléctrica, la unidad funcionará como antes cuando vuelve la corriente.

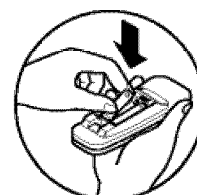
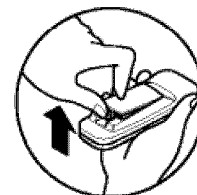
## Insertar las baterías del control remoto

- 1** Empuje hacia afuera con su pulgar la cubierta en la parte posterior del control remoto.
- 2** Preste atención a la polaridad e inserte dos nuevas baterías AAA 1.5V .
- 3** Vuelva a colocar la cubierta

**NOTA** : No use baterías recargables. Asegúrese que ambas baterías sean nuevas.

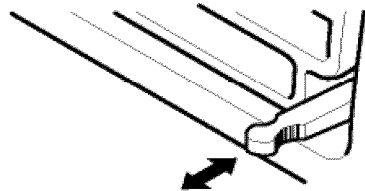
- Para evitar que se descarguen, quite las baterías del control remoto si el acondicionador de aire no va a ser usado por un período largo de tiempo. Mantenga el control remoto lejos de los lugares húmedos o extremadamente calientes. Para mantener el funcionamiento óptimo del control remoto, el sensor remoto no debe exponerse a la luz solar directa.

- El soporte montable del control remoto puede ser montado sobre una pared.



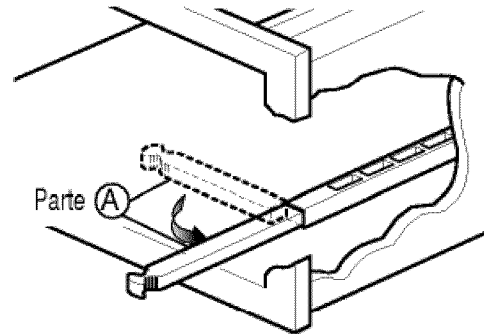
## Control de ventilación

Para máxima eficiencia de frescura, CIERRE la ventilación. Esto permitirá la circulación interna de aire. ABRA la ventilación para descargar el aire viciado.



CERRADA  VENTILACIÓN  ABIERTA

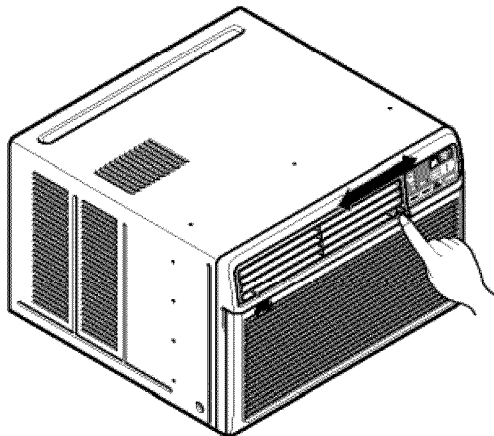
**NOTA** : Antes de usar la función de ventilación, coloque la palanca de ventilación tirando hacia fuera de la Parte A y presionándola en su lugar.



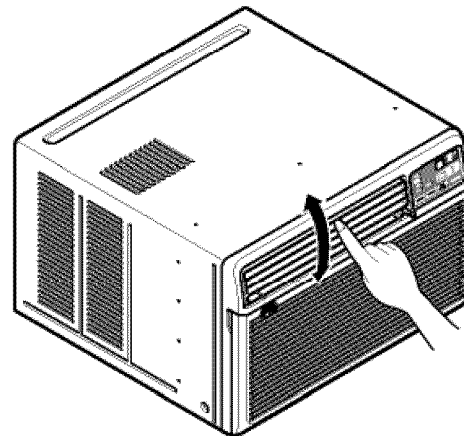
## Ajustar la dirección del flujo de aire

El flujo de aire puede ser ajustado cambiando la dirección de las rejillas de ventilación del acondicionador de aire. Esto puede también incrementar la eficacia del acondicionador de aire.

- **Ajustar la dirección del flujo de aire horizontal.**  
Ajustar las rejillas verticales hacia la izquierda y derecha cambiará el flujo horizontal.
- **Ajustar la dirección del flujo de aire vertical**  
Ajustar el álabe horizontal hacia arriba y abajo cambiará el flujo de aire vertical. La aleta puede ajustarse presionando hacia delante o hacia atrás.



Adjusting horizontal air flow



Adjusting vertical air flow

- **Recommended orientation of louvers**  
Adjust louvers to face upwards when cooling to maximize cooling efficiency.

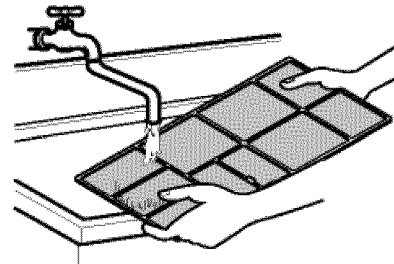
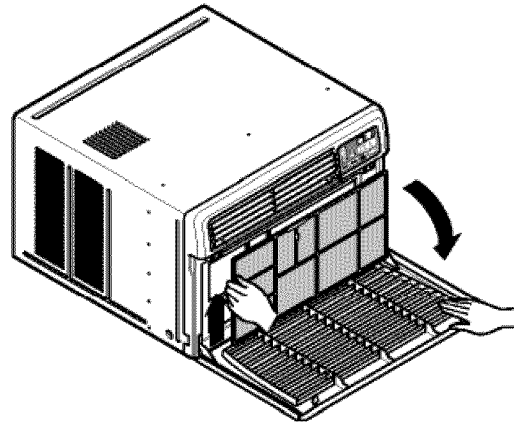
*Desconecte la energía y desenchufe la unidad antes de limpiar el acondicionador de aire.*

## Filtro de Aire

El filtro de aire detrás de la parrilla de entrada debe ser controlado y limpiado por lo menos una vez cada dos semanas (o cuando sea necesario) para mantener el rendimiento óptimo del acondicionador de aire.

### Como quitar el filtro de aire

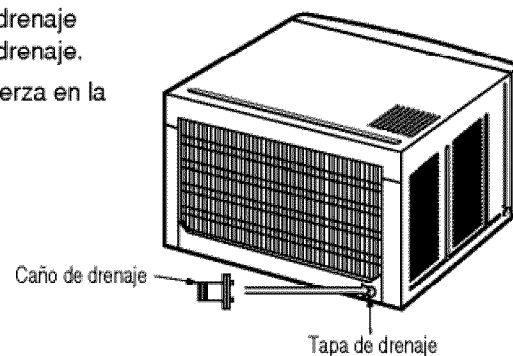
- 1 La rejilla puede ser abierta desde la parte superior para mantenimiento fácil después de la instalación.
- 2 Abra la rejilla de entrada tirando de la puerta externa en la parte superior de la unidad (basada en instalación).
- 3 Tire de la cuba ligeramente para liberar el filtro. Tire del filtro en la misma dirección de la abertura.
- 4 Limpie el filtro con agua tibia y jabonosa. El agua debe estar por debajo de los 40°C (104°F).
- 5 Enjuague y sacuda suavemente el exceso de agua del filtro. Déjelo secar antes de colocarlo nuevamente.



## Drenaje

La bandeja de base puede inundarse debido a un exceso de humedad. Para drenar el exceso de agua, quite la tapa de drenaje desde la parte posterior de la unidad y asegure el caño de drenaje.

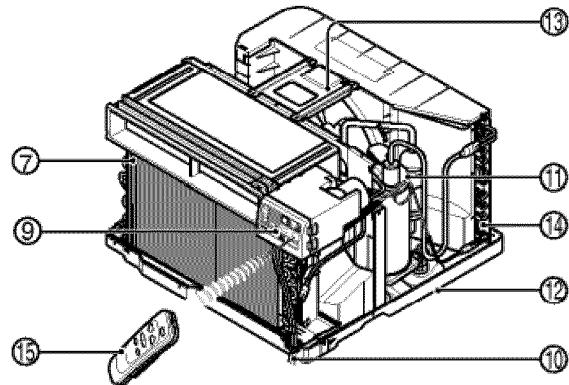
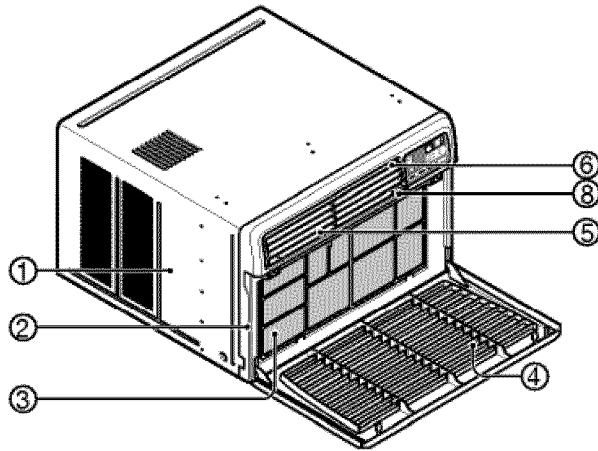
Cuando presione el caño de drenaje en su lugar, aplique fuerza en la dirección opuesta a las aletas, para evitar lesionarse.



Funciones del producto



**PRECAUCIÓN:** Este dispositivo debe ser instalado de acuerdo con la normas nacionales de cableado. La información que figura a continuación constituye una guía para explicar las características del producto.



- 1. GABINETE
- 2. PARRILLA FRONTAL
- 3. FILTRO DE AIRE
- 4. TOMA DE AIRE (PARRILLA DE ENTRADA)
- 5. DESCARGA DE AIRE
- 6. DEFLECTOR VERTICAL DE AIRE (ÁLABE HORIZONTAL)
- 7. EVAPORADOR

- 8. DEFLECTOR HORIZONTAL DE AIRE (ALABE VERTICAL)
- 9. PANEL DE CONTROL
- 10. CABLE ELÉCTRICA
- 11. COMPRESOR
- 12. BANDEJA DE BASE
- 13. ABRAZADERA
- 14. CONDENSADOR
- 15. CONTROL REMOTO

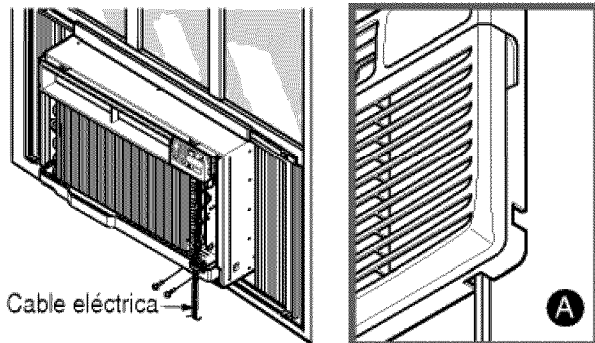
ESPAÑOL

Instalación del cable eléctrica

Puede escoger entre los dos métodos abajo descritos de acuerdo a la forma del taburete de su ventana y su preferencia.

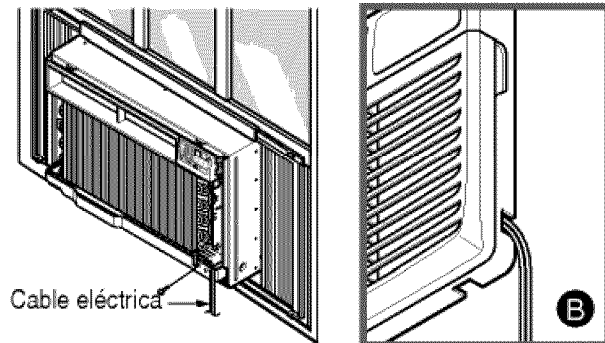
Utilizando la ranura "A"

- Aprete el obturador usando 2 hoyos de tornillo, y saque el cable eléctrica a través de la ranura "A".



Utilizando la ranura "B"

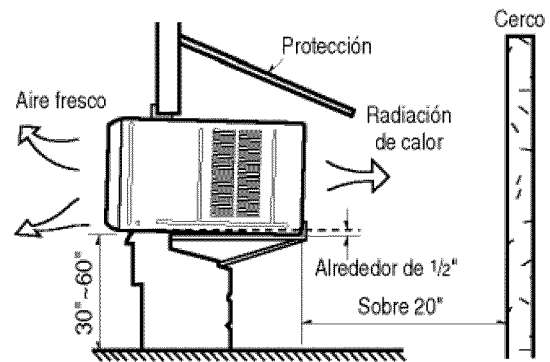
- Aprete el obturador usando el hoyo izquierdo de tornillo, y gire apropiadamente para sacar el cable eléctrico a través de la ranura "B".



## Cómo instalar la unidad

- 1 Para prevenir la vibración y el ruido, asegúrese que la unidad esté instalada con seguridad y firmeza.
- 2 Instale la unidad donde la luz del sol no caiga directamente en la misma.
- 3 La parte exterior del gabinete debe extenderse hacia afuera por lo menos a 12" sin obstáculos, como por ejemplo un cerco o una pared, dentro de los 20" desde la parte posterior del gabinete porque evitará la radiación de calor del condensador.

La restricción del aire exterior reduce en gran parte la eficiencia de enfriar del acondicionador de aire.



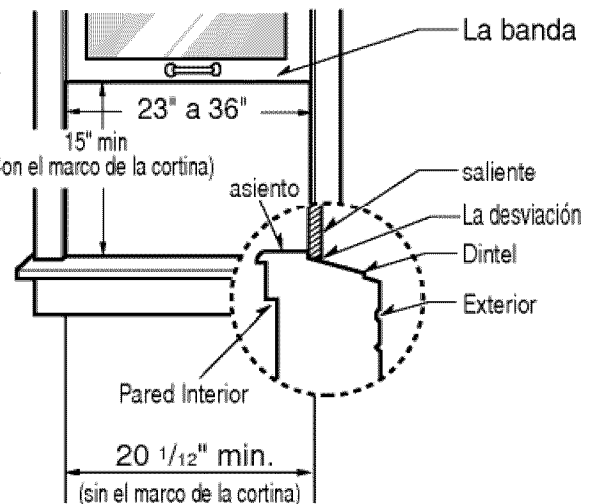
**! PRECAUCIÓN:** Todos los álabes laterales del gabinete deben permanecer expuestos a la parte exterior de la estructura.

- 4 Instale la unidad un poco inclinada para que la parte posterior quede ligeramente más baja que el frente (alrededor de 1/2"). Esto forzará al agua condensada a fluir hacia el exterior.
- 5 Instale la unidad con el fondo aproximadamente 30"~60" por encima del nivel del piso.

## Requisitos de la ventana

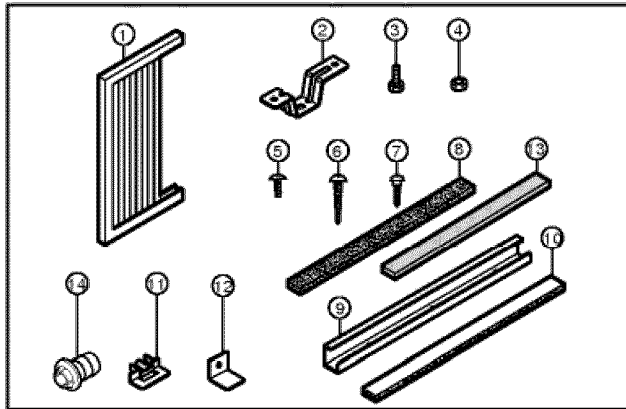
**NOTA :** Todas las piezas de soporte deben estar aseguradas con madera fuerte, mampostería, o metal.

- Esta unidad está diseñada para ser instalada en ventanas dobles basculantes estándar con amplitud de apertura real desde 23" a 36".
- Las hojas inferiores y superiores de la ventana deben abrirse lo suficiente para permitir una luz vertical de 15" desde la parte inferior de la hoja superior hasta el asiento de la ventana.





## Contenidos de los conjuntos de instalación



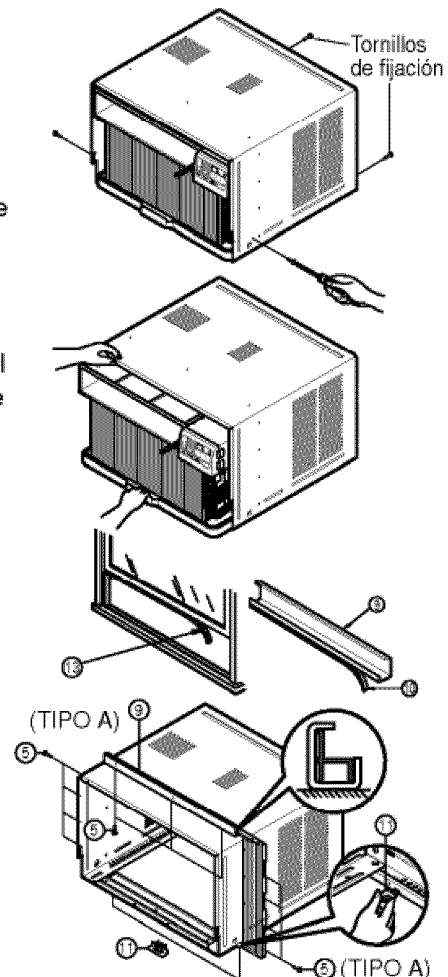
| Nº | NOMBRE DE LA PARTE                  | Cantidad |
|----|-------------------------------------|----------|
| 1  | MARCO DE LA CORTINA                 | 2        |
| 2  | DINTEL DE SOPORTE                   | 2        |
| 3  | PERNO                               | 2        |
| 4  | TUERCA                              | 2        |
| 5  | TORNILLO (TIPO A)                   | 16       |
| 6  | TORNILLO (TIPO B)                   | 3        |
| 7  | TORNILLO (TIPO C)                   | 5        |
| 8  | BURLETE DE ESPUMA                   | 1        |
| 9  | GUÍA SUPERIOR                       | 1        |
| 10 | BURLETE DE ESPUMA-PE                | 1        |
| 11 | GUÍA DEL MARCO                      | 2        |
| 12 | ABRAZADERA de FIJACIÓN A LA VENTANA | 1        |
| 13 | BURLETE de ESPUMA-PE                | 1        |
| 14 | CAÑO de DRENAJE                     | 1        |

## Requisitos sugeridos de las ventanas

DESTORNILLADOR (Philips y Flatead), REGLA, CUCHILLO, MARTILLO, LÁPIZ, NIVEL.

### PREPARACIÓN DEL CHASIS

- 1 Quite los tornillos que unen el gabinete a ambos lados y a la parte posterior.
- 2 Deslice la unidad desde el gabinete haciendo la manija de la base de la bandeja base mientras con la otra mano sostiene el gabinete.
- 3 Corte el sello de la hoja de la ventana en la medida adecuada. Quite el recubrimiento del soporte y pegue el burlete de Espuma-PE 13 a la cara inferior de la hoja de la ventana.
- 4 Quite el soporte de la guía superior del burlete de Espuma PE 10 y péguela a la parte inferior de la guía superior 9.
- 5 Fije la guía superior a la parte superior del gabinete con 3 tornillos tipo A 5.
- 6 Inserte las guías del marco 11 en la parte inferior del gabinete.
- 7 Inserte el marco de la cortina 1 en la guía superior 9 y las guías del marco 11.
- 8 Fije las cortinas a la unidad con 4 tornillos tipo A 5.



ESPAÑOL

## Instalación del gabinete

- 1 Abra la ventana. Marque una línea en el centro del asiento de la ventana.  
Coloque cuidadosamente el gabinete sobre el asiento de la ventana alinee la marca central de la parte inferior frontal con la línea marcada en el centro del asiento de la ventana.

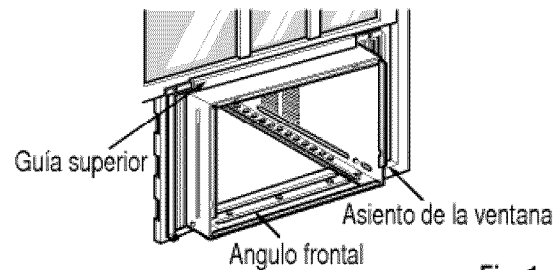


Fig. 1

- 2 Tire la hoja inferior de la ventana detrás de la guía superior ⑨ hasta que se encuentren.

**NOTA:** No tire hacia abajo la hoja de la ventana de un modo que impida el movimiento del marco de la cortina ①.

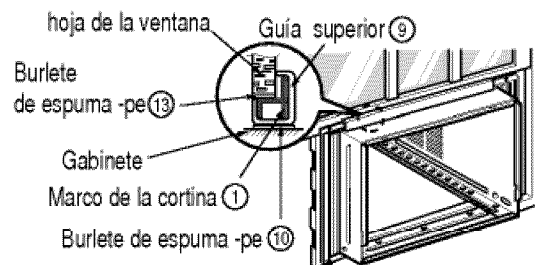


Fig. 2

- 3 Arme de modo flojo el soporte del dintel ② usando las partes que se muestran en Fig. 3.

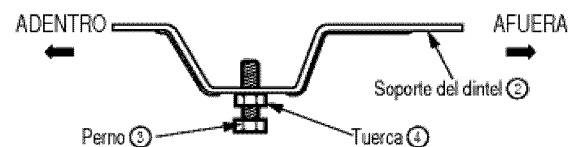


Fig. 3

- 4 Seleccione la posición en la que colocará el soporte del dintel ② cerca del punto más externo del dintel. (Ver Fig. 4)

**NOTA:** Tenga cuidado cuando instala el gabinete (las guías de marcos ⑪ se rompen fácilmente).

- 5 Agregue el soporte del dintel ② al hueco de la guía del gabinete según la posición seleccionada usando 2 tornillos tipo A en cada soporte (Ver Fig. 4).

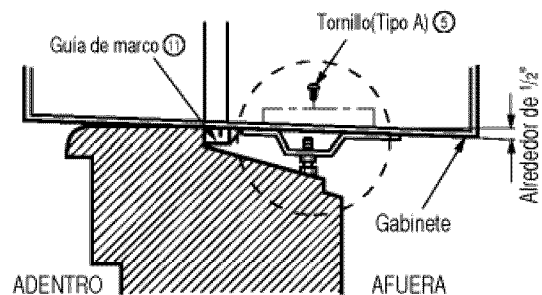
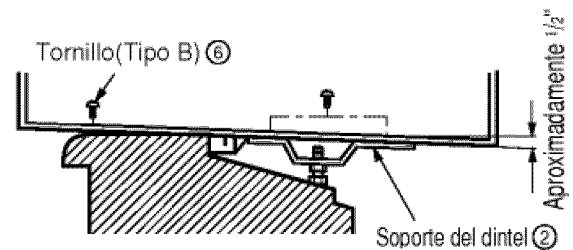


Fig. 4

- 6 El gabinete debe ser instalado con una ligera inclinación (aproximadamente 1/2") de modo que el lado externo quede hacia abajo (ver Fig. 5) Ajuste el perno y la tuerca del soporte al dintel 2 para equilibrar el gabinete.



- 7 Agregue el gabinete al asiento de la ventana colocando los tornillos 6 (Tipo B: Largo 16mm 5/8 - pulgadas - abajo.) a través del ángulo frontal en el asiento de la ventana.
- 8 Tire cada marco de la cortina 1 completamente para cada carril de hoja de ventana y repita el paso 2.

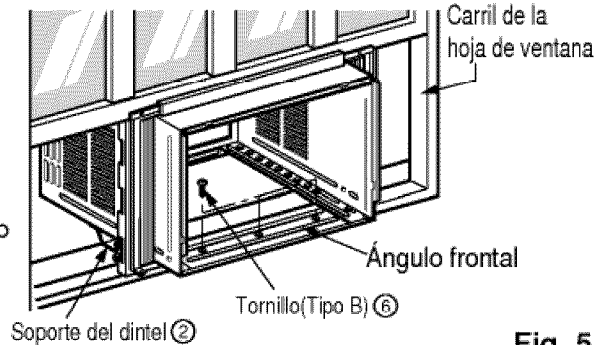


Fig. 5

- 9 Agregue cada marco de la cortina 1 de la hoja de la ventana usando tornillos 7 (Tipo C). (ver Fig. 6)

**PRECAUCIÓN:** No perforo en la bandeja inferior. La unidad está diseñada para operar con aproximadamente 1/2" de agua en la bandeja inferior. No hay necesidad de agregar agua a la bandeja si la bandeja está seca.

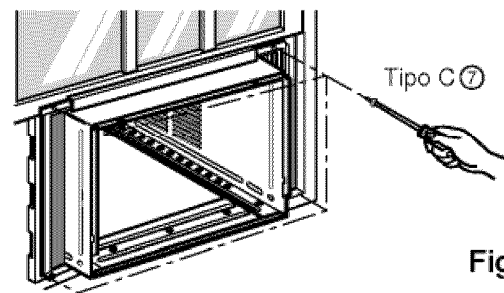


Fig. 6

- 10 Deslice la unidad dentro del gabinete. (ver Fig. 7)

**PRECAUCIÓN:** Para propósitos de seguridad, reinstale los tornillos (Tipo A) a los lados del gabinete.

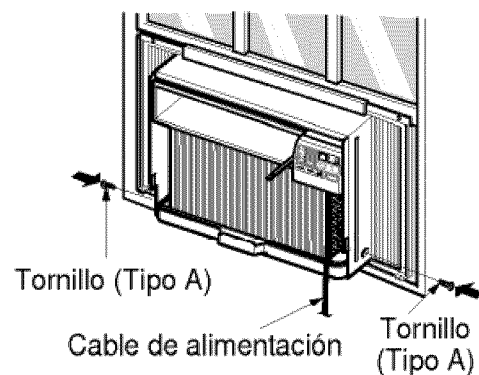


Fig. 7

- 11 Corte el burlete de espuma 8 en el largo adecuado e insértelo entre la hoja superior de la ventana y en la hoja inferior de la misma. (ver Fig. 8)

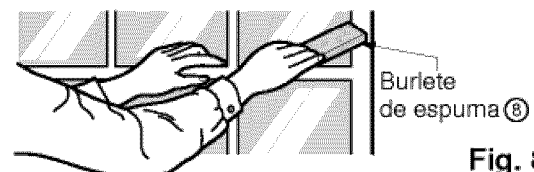


Fig. 8

- 12 Agregue la abrazadera de fijación 12 con un tornillo Tipo C 7 (ver Fig. 9)

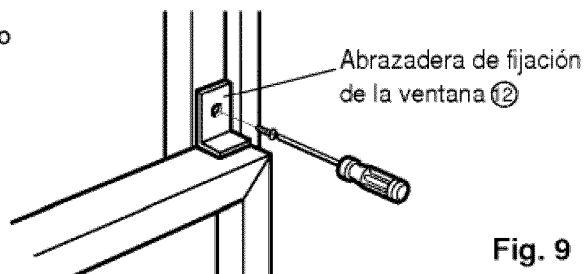


Fig. 9

- 13 Agregue la parrilla frontal al gabinete insertando las pestañas en la parrilla dentro de las pestañas del frente del gabinete. Empuje la parrilla hasta que se fije en el lugar. (ver Fig.10)

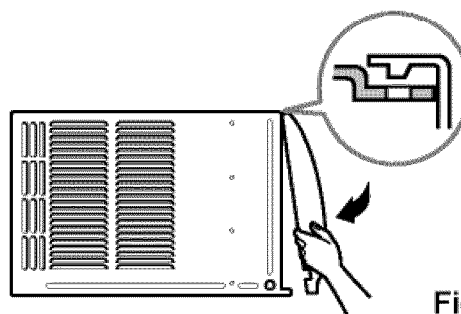


Fig. 10

- 14 Tire hacia abajo la parrilla de entrada y asegúrela con un tornillo Tipo A 5 a través de la parrilla frontal. (ver Fig. 11)

- 15 La instalación del acondicionador de aire de ventana para habitación está ahora completada. Ver en DATOS DE ELECTRICIDAD para unir el cable de alimentación a la salida eléctrica.

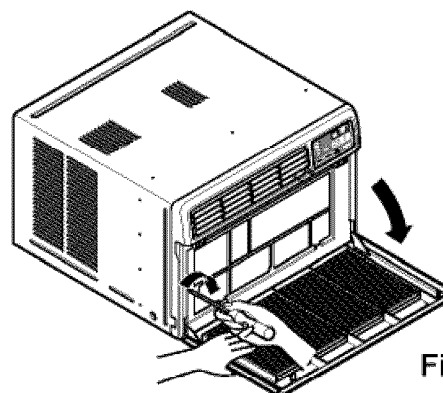


Fig. 11

## Datos sobre electricidad

| Enchufe del cable de línea   | Use el tomacorriente de pared  | Alimentación de energía   |
|--|--|---|
| <p>Bajo ninguna circunstancia corte o quite la clavija de conexión a tierra del enchufe.</p> <p>El cable de alimentación de energía con enchufe de conexión a tierra de 3 clavijas</p> | <p>Cable estándar de 125V, 3-hilos con conexión a masa en un rango de 15A, 125V AC</p> | <p>Use un fusible de retardo de 15 AMP, o un interruptor de circuito.</p> |

### Uso de los cables de extensión

- A causa de peligros de seguridad potenciales, desaconsejamos seriamente el uso del cables de extensión. Sin embargo, si desea usar un cable de extensión, use un cable de extensión CSA certificado/UL-listado 3-hilos (de conexión a masa), con un rango de 15A, 125V.

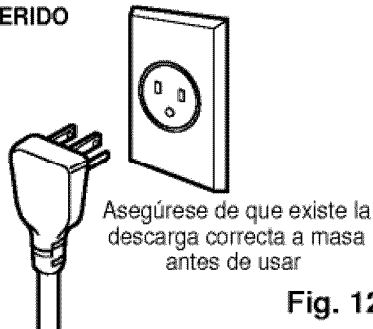
## Seguridad eléctrica

### **IMPORTANTE (POR FAVOR LEA CUIDADOSAMENTE)**

#### **PARA LA SEGURIDAD PERSONAL DEL USUARIO, ESTA UNIDAD DEBE SER CORRECTAMENTE CONECTADA A MASA**

El cable de alimentación de este artefacto está equipado con un enchufe de tres clavijas (con conexión a masa). Use éste con una salida en un tomacorriente estándar de pared con tres ranuras (a masa) (Fig. 12) para minimizar el peligro de descarga eléctrica. El usuario debe tener un tomacorriente de pared y un circuito controlado por un electricista calificado para asegurarse de que el tomacorriente se halla debidamente descargado a masa.

#### **MÉTODO PREFERIDO**

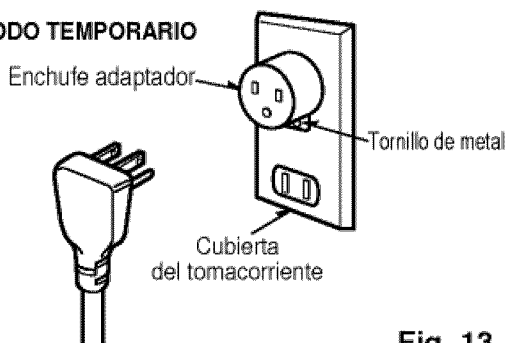


**Fig. 12**

#### **NO CORTE O quite LA TERCERA CLAVIJA (MASA) DEL ENCHUFE DE ALIMENTACIÓN DE ENERGÍA.**

#### **A. CIRCUNSTANCIAS EN LAS QUE EL ARTEFACTO DEBE SER DESCONECTADO OCASIONALMENTE:**

##### **MÉTODO TEMPORARIO**



**Fig. 13**

A causa de riesgos potenciales de seguridad, advertimos seriamente que se debe usar un adaptador de enchufe. Sin embargo, si desea usar un adaptador, se puede hacer una CONEXIÓN TEMPORARIA. Use un adaptador enumerado en UL, la ranura grande en el tomacorriente para asegurar una conexión de polaridad correcta.

**PRECAUCIÓN:** *Agregar el adaptador con terminal a masa al tornillo de la cubierta del tomacorriente no descarga el artefacto a masa a menos que el tornillo de la cubierta sea de metal y no se encuentre aislado, y el tomacorriente se halle conectado a masa a través del cableado de la casa. El usuario debe hacer controlar el circuito por un electricista calificado para asegurarse que el tomacorriente se halla debidamente conectado a masa.*

Desconecte el cable de alimentación del adaptador, usando una mano en cada uno. De otro modo, la terminal a masa del adaptador puede romperse. **NO USE** el artefacto con un adaptador al enchufe roto.

#### **B. CIRCUNSTANCIAS EN LAS QUE EL ARTEFACTO DEBE SER DESCONECTADO A MENUDO.**

No use un adaptador al enchufe en estas circunstancias.

Desenchufar el cable de alimentación frecuentemente puede llevar a una rotura eventual del polo a masa. El tomacorriente de pared debe ser reemplazado por otro de tres ranuras.

#### **USE DE CABLES DE EXTENSIÓN**

A causa de riesgos de seguridad potenciales, desaconsejamos seriamente el uso de cables de extensión. No obstante si desea utilizar un cable de extensión, use un cable de extensión CSA certificado /listado en UL de 3 polos (a masa), con un rango de 15A, 125V.

Antes de llamar al servicio, tenga a bien revisar la siguiente lista de problemas y sus soluciones.

**El acondicionador de aire está funcionando normalmente cuando:**

- Escucha un sonido metálico. Lo causa el agua que recoge el condensador en días lluviosos o en condiciones de mucha humedad. Esta característica está diseñada para ayudar a quitar la humedad en el aire y mejorar la capacidad de enfriamiento.
- Oye un clic en el termostato. Lo causa el ciclo del compresor que comienza y se detiene.
- Ve gotear agua de la parte posterior de la unidad. El agua puede ser recogida en la bandeja de base en condiciones de mucha humedad o días de lluvia. Esta agua desborda y gotea desde la parte posterior de la unidad.
- Oye funcionar el ventilador mientras el compresor está silencioso. Esto es una característica operativa normal.

**El acondicionador de aire puede estar funcionando anormalmente cuando:**

| <b>Problema</b>  | <b>Causas posibles</b>  | <b>Qué hacer</b>  |
|--|---|---|
| <b>El acondicionador de aire no funciona para nada</b> | ■ El acondicionador de aire está desenchufado o no bien enchufado | • Asegúrese que el enchufe está completamente enchufado dentro del tomacorriente  |
|  | ■ El fusible está fundido / el disyuntor está interrumpido        | • Compruebe el fusible /la caja del disyuntor y reemplace el fusible o vuelva el disyuntor a su lugar.  |
|  | ■ Corte de corriente  | • En el caso de un corte de corriente, coloque el control de encendido en OFF. Cuando se haya restaurado la corriente, espere durante 3 minutos para volver a hacer funcionar el acondicionador de aire para prevenir la sobrecarga del compresor.      |
| <b>El acondicionador de aire no enfría</b>             | ■ El flujo de aire está disminuido                                | • Asegúrese que no haya cortinas, persianas, muebles u otros obstáculos frente al acondicionador de aire  |
|  | ■ El TERMOSTATO puede no estar colocado en el fresco suficiente   | • Gire la perilla a una posición más alta. Mientras más alto esté mayor será el frío proporcionado.   |
|  | ■ El filtro de aire está sucio.                                   | • Limpie el filtro al menos una vez cada dos semanas. Refiérase a la sección "Cuidado y mantenimiento" (p.11) del manual.   |
|  | ■ El acondicionador de aire se acaba de encender.                 | • Después que se enciende el acondicionador de aire, debe darle un tiempo al acondicionador de aire para enfriar la habitación.   |
|  | ■ El aire frío se escapa.   | • Busque alguna hornalla de resistencia encendida y el aire frío vuelve.<br>• CIERRE la ventilación del acondicionador de aire  |
| <b>Aparece hielo sobre el acondicionador de aire</b>   | ■ Los serpentines de enfriamiento están congelados                | • Vea <b>Aparece hielo sobre el acondicionador de aire</b> abajo  |
|  | ■ Los serpentines de enfriamiento están cubiertos de hielo.       | • El hielo puede bloquear la corriente de aire e impedir que el acondicionador de aire enfríe correctamente la habitación. Coloque la velocidad del ventilador en MED o ALTA (HIGH) mientras coloca el termostato en 1 o 2 hasta que el hielo se funda. |

Nota

ESPAÑOL

## HAMPTON BAY ROOM AIR CONDITIONER LIMITED WARRANTY - USA

LG Electronics will repair or at its option replace, without charge, your product which proves to be defective in material or workmanship under normal use, during the warranty period listed below from the date of original purchase. **This warranty is good only to the original purchaser of the product during the warranty period as long as it is in the U.S. including Alaska, Hawaii, and U.S Territories.**

|   |  |
|---|--|
| <p><b><u>WARRANTY PERIOD:</u></b></p> <p><b>Labor:           5 Years</b><br/> <b>Parts:             5 Years</b><br/> <b>Compressor: 5 Years</b></p> | <p><b><u>HOW SERVICE IS HANDLED:</u></b></p> <p>Call 800-984-7469, 24 hrs, a day, 7 days per week. Press the appropriate option, and please have your product type(AIR CONDITIONER), model number, serial number, and ZIP/postal code ready. All models are in-home service.</p> |
|---|--|

No other express warranty is applicable to this product. THE DURATION OF ANY IMPLIED WARRANTIES, INCLUDING THE IMPLIED WARRANTY OF MERCHANTABILITY, IS LIMITED TO THE DURATION OF THE EXPRESS WARRANTY HEREIN. LG ELECTRONICS SHALL NOT BE LIABLE FOR THE LOSS OF THE USE OF THE PRODUCT, INCONVENIENCE, LOSS OR ANY OTHER DAMAGES, DIRECT OR CONSEQUENTIAL, ARISING OUT OF THE USE OF, OR INABILITY TO USE, THIS PRODUCT OR FOR ANY BREACH OF ANY EXPRESS OR IMPLIED WARRANTY, INCLUDING THE IMPLIED WARRANTY OF MERCHANTABILITY APPLICABLE TO THIS PRODUCT.

Some states do not allow the exclusion or limitation of incidental or consequential damages or limitations on how long an implied warranty lasts; so these limitations or exclusions may not apply to you. This warranty gives you specific legal rights and you may also have other rights which vary from state to state or province to province.

**THE ABOVE WARRANTY DOES NOT APPLY;**

- To damages or problems which result from delivery or improper installation.
- To damages or problems which result from misuse, abuse, accident, alteration, or incorrect electrical current or voltage.
- To service calls, which do not involve defective workmanship or material, such as explaining the operation of the unit.

**Therefore, these costs are paid by the consumer.**

**CUSTOMER ASSISTANCE NUMBERS:**

|  |   |
|--|---|
| <b>To Prove Warranty Coverage:</b>                       | <b>Retain your Sales Receipt to prove date of purchase.</b><br>Copy of your Sales Receipt must be submitted at the time warranty service is provided.   |
| <b>To Obtain Product or Customer Service Assistance:</b> | <b>Call 800-984-7469 (Mon. ~Fri. 7AM-7PM CST)</b><br>Press the appropriate menu option, and please have your product type(AIR CONDITIONER), model number, serial number, and ZIP/postal code ready. |
| <b>To Obtain the nearest Authorized Service Center:</b>  | <b>Call 800-984-7469, 24 hrs a day, 7 days per week.</b><br>Press the appropriate option, and please have your product type (AIR CONDITIONER), and ZIP/postal code ready.                           |