

www.lgservice.com

# LG

## Window-Type Air Conditioner

### ***OWNER'S MANUAL***

***MODELS: LA1000PR***

---

Please read through this manual. It contains valuable information about your air conditioner. This manual may help save time and money by explaining proper air conditioner maintenance and preventing improper use.

---

Pay close attention to precautions in order to prevent potential hazards and damage from misuse or improper installation. LG is not responsible for any damages caused by misuse of the air conditioner.

# TABLE OF CONTENTS

Safety Precautions .....	3
Before Operation .....	7
Introduction .....	8
Electrical Safety .....	9
Installation .....	11
Operating Instructions .....	15
Maintenance and Service .....	18



## FOR YOUR RECORDS

Write the model and serial numbers here:

**Model #** \_\_\_\_\_

**Serial #** \_\_\_\_\_

You can find the numbers on a label on the side of the product.

**Dealer's Name** \_\_\_\_\_

**Date Purchased** \_\_\_\_\_

■ Staple your receipt to this page in the event you need it to prove date of purchase or for warranty issues.



## READ THIS MANUAL

Inside you will find many helpful hints on how to use and maintain your air conditioner properly. Just a little preventive care on your part can save you a great deal of time and money over the life of your air conditioner.

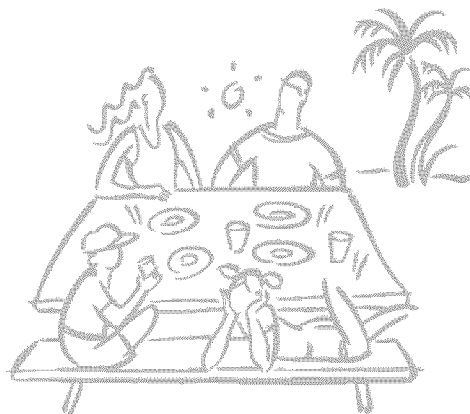
You'll find many answers to common problems in the chart of troubleshooting tips. If you review our chart of

**Troubleshooting Tips** first, you may not need to call for service at all.



## PRECAUTION

- Contact an Authorized Service Center for repair or maintenance of this unit. Call 1-877-714-7486 to locate the nearest ASC.
- The air conditioner is not intended for use by young children or invalids without supervision.
- Young children should be supervised to ensure that they do not play with the air conditioner.
- If the power cord requires replacement, have an Authorized Servicer install an exact replacement part.
- Installation work must be performed in accordance with the National Electric Code by qualified and authorized personnel only.



# Safety Precautions

To prevent injury to the user or other people and property damage, the following instructions must be followed.

- Incorrect operation due to ignoring instructions will cause harm or damage. The seriousness is classified by the following indications.
- Because of the weight of the product, it is recommended that you have a helper to assist in the installation.

**⚠ WARNING** This symbol indicates the possibility of death or serious injury.

**⚠ CAUTION** This symbol indicates the possibility of injury or damage to properties only.

- Meanings of symbols used in this manual are as shown below.

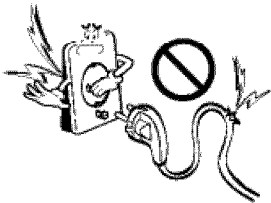
	<b>Be sure not to do.</b>
	<b>Be sure to follow the instruction.</b>

## ⚠ WARNING

### ■ Installation

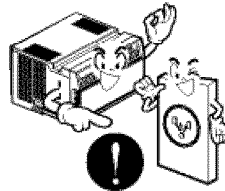
**Don't use a power cord, a plug or a loose socket which is damaged.**

- Otherwise, it may cause a fire or electrical shock.



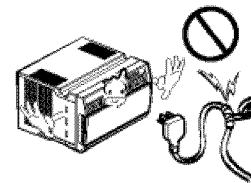
**Always plug into a grounded outlet.**

- Otherwise, it may cause a fire or electrical shock.



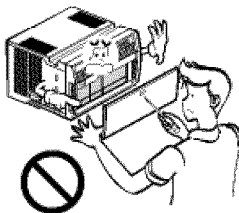
**Do not modify or extend the power cord length.**

- It will cause electric shock or fire due to heat generation.



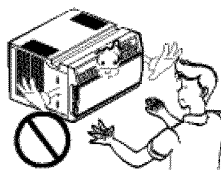
**Do not disassemble or modify products.**

- It may cause failure and electric shock.



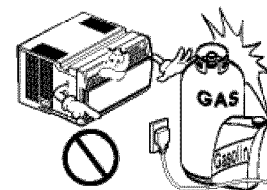
**Be caution when unpacking and installing.**

- Sharp edges may cause injury.



**Do not use the power cord near flammable gas or combustibles such as gasoline, benzene, thinner, etc.**

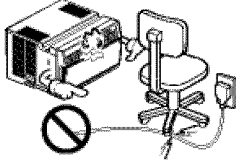
- It may cause explosion or fire.



## ■ Operation

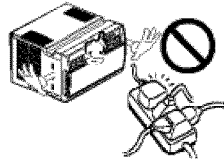
**Do not place heavy object on the power cord and take care so that the cord should not be pressed.**

- There is danger of fire or electric shock.



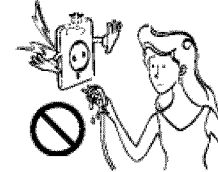
**Do not share the outlet with other appliances.**

- It will cause electric shock or fire due to heat generation.



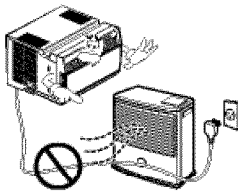
**Take the power plug out if necessary, holding the head of the plug and do not touch it with wet hands.**

- Otherwise, it may cause a fire or electrical shock.



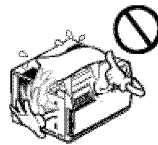
**Do not place the power cord near a heater.**

- It may cause fire and electric shock.



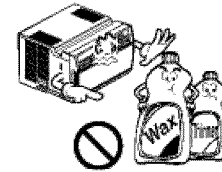
**Do not allow water to run into electric parts.**

- It will cause failure of machine or electric shock.



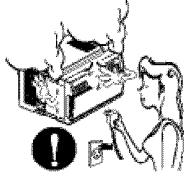
**Use a soft cloth to clean. Do not use wax, thinner, or a strong detergent.**

- The appearance of the air conditioner may deteriorate, change color, or develop surface flaws.



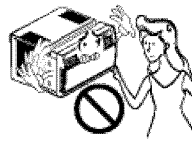
**Unplug the unit if strange sounds, odors, or smoke come from it.**

- Otherwise it may cause fire and electric shock accident.

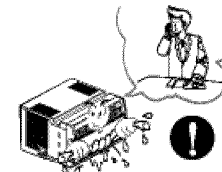


**Do not open the suction inlet grill of the product during operation.**

- Otherwise, it may electrical shock and failure.

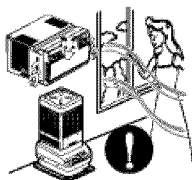


**If water enters the product, turn off the the power switch of the main body of appliance. Contact service center after taking the power-plug out from the socket.**



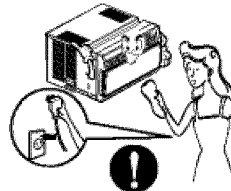
**Ventilate the room well when using this appliance together with a stove, etc.**

- An oxygen shortage may occur.



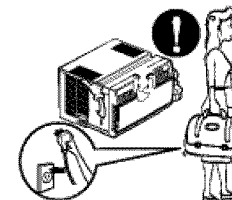
**Turn off the power and breaker firstly when cleansing the unit.**

- Since the fan rotates at high speed during operation, it may cause injury.



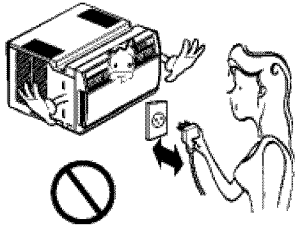
**Turn off the main power switch when not using it for a long time.**

- Prevent accidental startup and the possibility of injury.



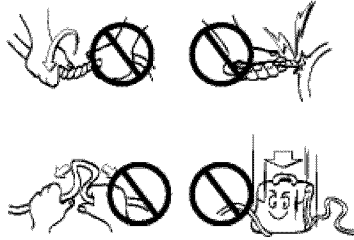
**Do not operate or stop the unit by inserting or pulling out the power plug.**

- It will cause electric shock or fire due to heat generation.



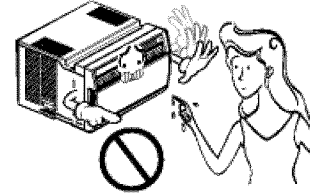
**Do not damage or use an unspecified power cord.**

- It will cause electric shock or fire.



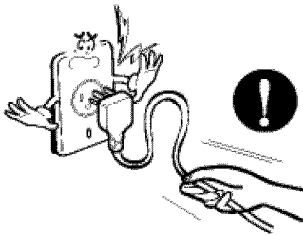
**Do not operate with wet hands or in damp environment.**

- It will cause electric shock.



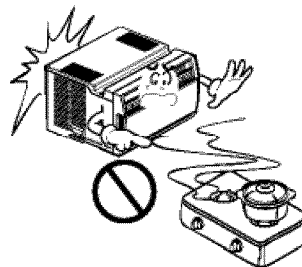
**Hold the plug by the head when taking it out.**

- It may cause electric shock and damage.



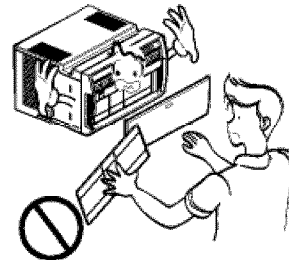
**When gas leaks, open the window for ventilation before operating the unit.**

- Otherwise, it may cause explosion, and a fire.



**Never touch the metal parts of the unit when removing the filter.**

- They are sharp and may cause injury.

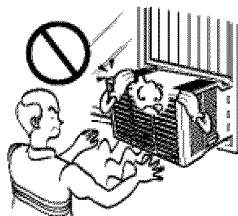


**CAUTION**

**Installation**

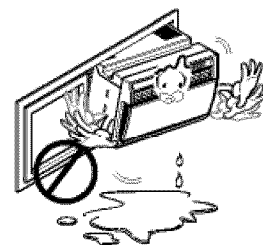
**Install the product so that the noise or hot wind from the outdoor unit may not cause any damage to the neighbors.**

- Otherwise, it may cause dispute with the neighbors.



**Keep level parallel in installing the product.**

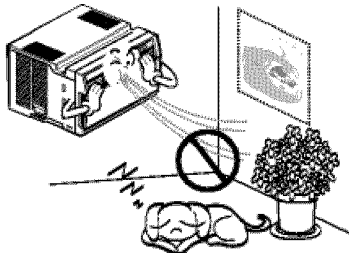
- Otherwise, it may cause vibration or water leakage.



## ■ Operation

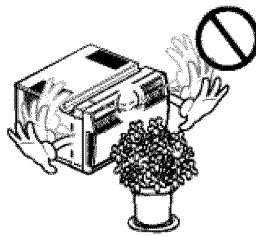
**Do not put a pet or house plant where it will be exposed to direct air flow.**

- It may cause injury.



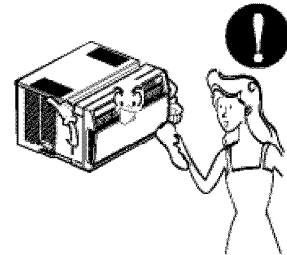
**Do not block the inlet or outlet of air flow.**

- It may cause product failure.



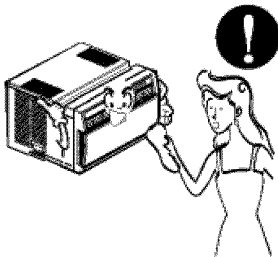
**Use a soft cloth to clean. Do not use wax, thinner, or a strong detergent.**

- The appearance of the air conditioner may deteriorate, change color, or develop surface flaws.



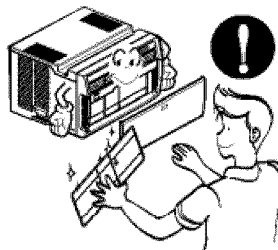
**Do not step on the indoor/outdoor unit and do not put anything on it.**

- It may cause an injury through dropping of the unit or falling down.



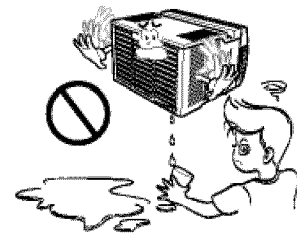
**Always insert the filter securely. Clean it every two weeks.**

- Operation without filters will cause failure.



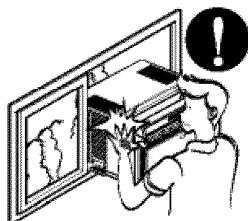
**Do not drink water drained from air conditioner.**

- It contains contaminants and will make you sick.



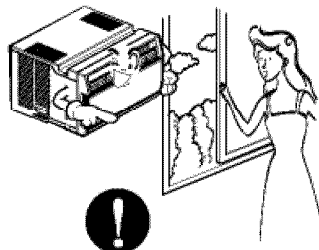
**Be cautious not to touch the sharp edges when installing.**

- It may cause injury.



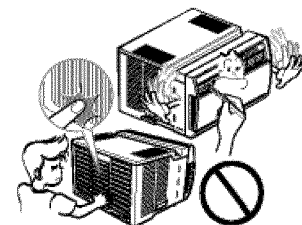
**Avoid excessive cooling and perform ventilation sometimes.**

- Otherwise, it may do harm to your health.



**Do not insert the hands or bars through the air inlet or outlet during operation.**

- Otherwise, it may cause personal injury.



# Before Operation

## Preparing for operation

1. Plug in the power plug properly.
2. Use a dedicated circuit. Overloading the line could create a fire hazard.
3. Do not use an extension cord. See page 10 for more details.
4. Do not start/stop operation by plugging/unplugging the power cord.
5. If the power cord is damaged and requires replacement, have an Authorized Servicer install an exact replacement part.

## Usage

1. Being exposed to direct airflow for an extended period of time could be hazardous to your health. Do not expose occupants, pets, or plants to direct airflow for extended periods of time.
2. Due to the possibility of oxygen deficiency, ventilate the room when used together with stoves or other heating devices.
3. Do not use this air conditioner for non-specified special purposes (e.g. preserving precision devices, food, pets, plants, and art objects). Such usage could damage the items.
4. The air conditioner is a consumer comfort appliance, not a precision climate control system.

## Cleaning and maintenance

1. Do not touch the metal parts of the unit when removing the filter. Injuries can occur when handling sharp metal edges.
2. Do not use water to clean inside the air conditioner. Exposure to water can destroy the insulation, leading to possible electric shock.
3. When cleaning the unit, first make sure that the power and breaker are turned off. The fan rotates at a very high speed during operation. There is a possibility of injury if the unit's power is accidentally triggered on while cleaning inner parts of the unit.

## Service

For repair and maintenance, contact an Authorized Service Center. See the warranty page for details or call 877-714-7486. Have your model number and serial number available. They should be written on page 2 of this manual.



# Introduction

## Symbols Used in this Manual



This symbol alerts you to the risk of electric shock.



This symbol alerts you to hazards that could cause harm to the air conditioner.

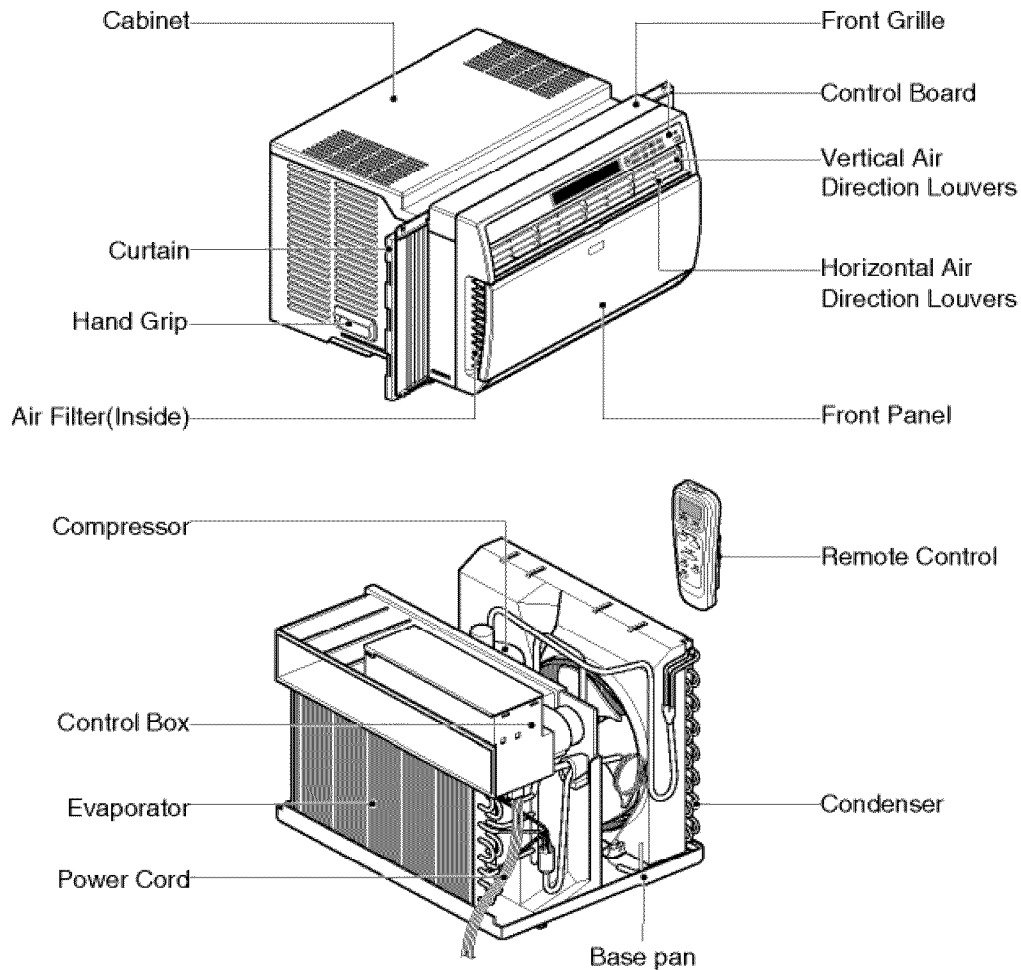
**NOTICE**

This symbol indicates special notes.

## Features



**WARNING:** This appliance should be installed in accordance with the National Electric Code.





# Electrical Safety

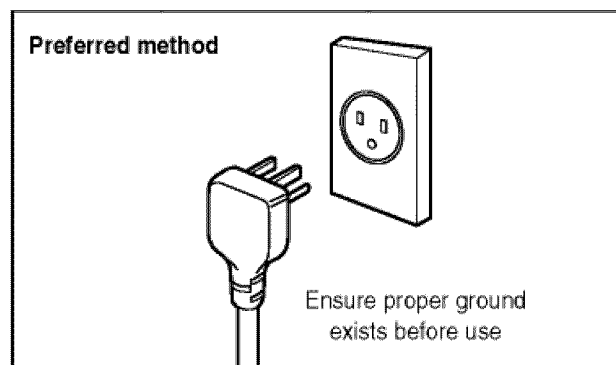


**WARNING: This appliance must be properly grounded.**

The power cord of this appliance is equipped with a three-prong grounding plug. To minimize the risk of electric shock, use the plug with a standard three-slot grounding wall power outlet. If the power outlet does not include a grounding slot, have a qualified electrician replace the outlet before you use the room air conditioner.



**WARNING: Changing the outlet without making the appropriate wiring changes will create an unsafe condition that could result in fire or electrical shock. Refer all such work to a licensed and qualified electrician.**



**WARNING: Do not cut or remove the grounding prong from the power plug.**



**WARNING: Attaching the adapter ground terminal to the wall receptacle cover screw does not ground the appliance unless the cover screw is metal and not insulated, and the wall receptacle is grounded through the house wiring.**

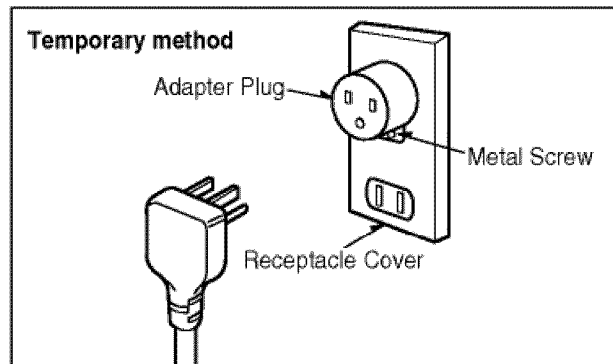


**WARNING: If you have any doubt whether the air conditioner is properly grounded, have the wall receptacle and circuit checked by a qualified electrician.**

## Temporary Use of an Adapter

We **strongly discourage** the use of an adapter due to potential safety hazards. For temporary connections, use only a UL-listed adapter, available from most local hardware stores. Ensure that the large slot in the adapter is aligned with the large slot in the receptacle for a proper polarity connection.

To disconnect the power cord from the adapter, use one hand on each to avoid damaging the ground terminal. Avoid frequently unplugging the power cord as this can lead to eventual ground terminal damage.



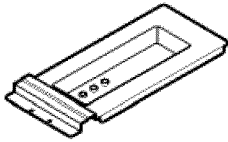
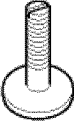



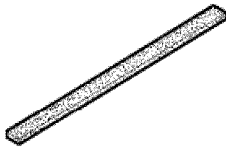

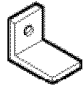


**WARNING:** Never use the appliance with a broken adapter.

## Temporary Use of an Extension Cord

We **strongly discourage** the use of an extension cord due to potential safety hazards. For temporary situations, use only CSA certified and UL listed 3-wire grounded extension cords, rated 15 A, 125 V.

# Installation

ENGLISH

ITEM A: 1EA SUPPORT, BRACKET	ITEM B: 1EA LEVELING BOLT	ITEM C: 1EA LEVELING BOLT	ITEM D: 2EA SCREW: 5/8"	ITEM E: 7EA SCREW: 5/8"
				
ITEM F: 1EA FOAM SEAL	ITEM G: 1EA FOAM STRIP	ITEM H: 1EA L BRACKET	ITEM J: 1EA SIDE BRACKET	ITEM K: 1EA DRAIN PIPE
				

Have the following tools available for installation:

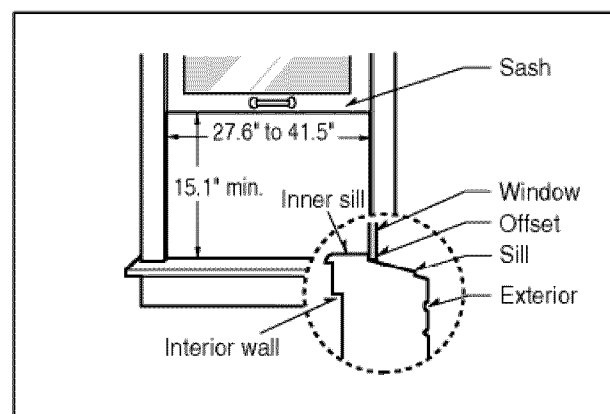
- Tight Fitting gloves
- Standard screwdriver
- Phillips screwdriver
- Pliers
- Sharp knife
- 3/8-inch open end wrench or adjustable wrench
- 1/4-inch hex socket and ratchet
- Tape measure
- Electric drill
- 1/4-inch drill bit

## Window Requirements

### Size

Your air conditioner will install into standard double hung windows with actual clear opening widths of 27.6 to 41.5 inches (700mm to 1054mm).

Lower sash must open sufficiently to allow a clear vertical opening of 15.1 inches (383mm). Side louvers and the rear of the air conditioner must have clear air space to allow enough airflow through the condenser for heat removal. The rear of the unit must be outdoors, not inside a building or garage.



**WARNING: This product is a WINDOW AIR CONDITIONER.** As such, a standard single-hung or double-hung window is required for proper installation. Non-window installations, including using sleeves, holes in walls, and other installations are not recommended.

## Preparation of chassis

**CAUTION:** To avoid the possibility of personal injury, unplug power to unit before installing or servicing.

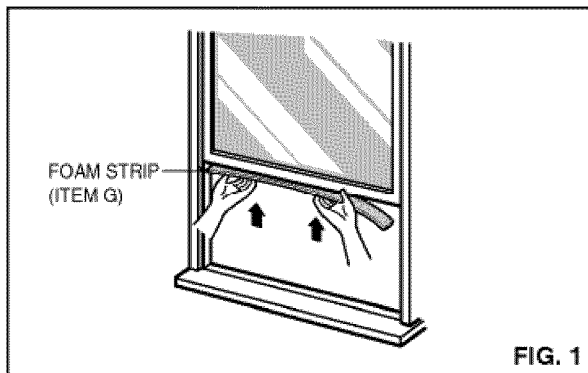
Pick a location which will allow you to blow the cold air into the area you want. Windows used for installation must be strong enough to support the weight of the air conditioner. Good installation with special attention to the proper position of the unit will lessen the chance that service will be needed.

When cooling more than one room, installation location is very important. To cool your rooms, cold air must be blown from the air conditioner in a straight path.

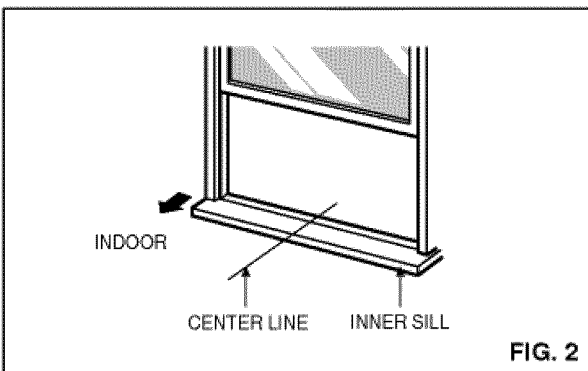
### How to Install

If the air conditioner is blocked by a storm window frame, see step 13 on page 14 before beginning to install.

1. Cut the FOAM STRIP (ITEM G) to fit the underside of the window sash. Open the window, peel off the FOAM STRIP backing and attach the FOAM STRIP as shown in FIG. 1.



2. Mark center line with pencil on the center of the inner sill, as shown in FIG. 2.

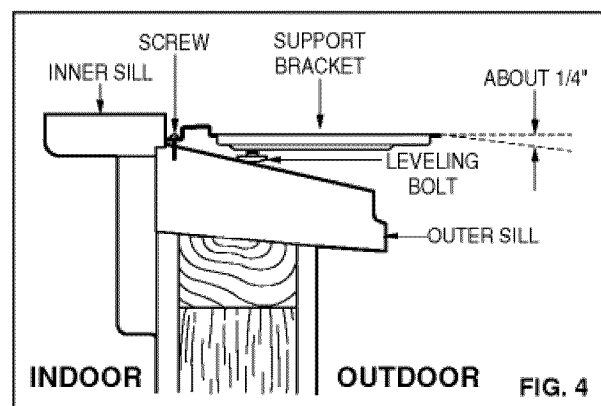
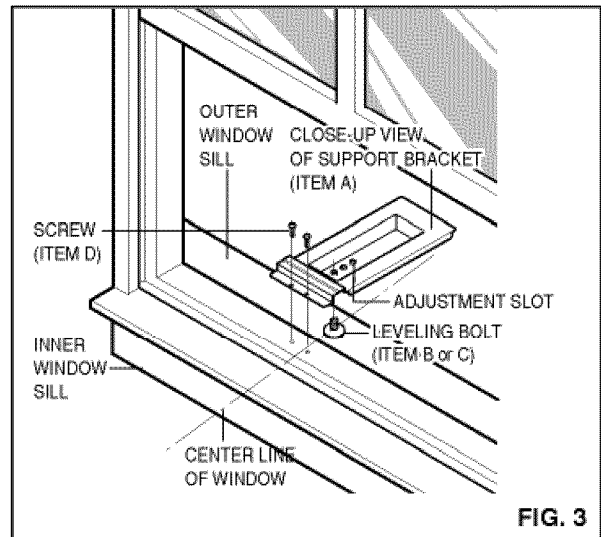


3. Install support bracket on window. See FIG. 3. Install leveling bolt up through bottom side of support bracket. You can choose a short bolt (ITEM C) or a long one (ITEM B) according to window type. Also, you should select the position of hole on bracket.

Position bracket on sill on the center line of window (See FIG. 3).

Fasten bracket loosely to sill with screws (ITEM D) provided.

Adjust leveling bolt so that the air conditioner will be installed with a very slight tilt (about 1/4") downward toward the outside for proper drainage. Tighten bracket screws.



**CAUTION:** During the following step, hold unit firmly until window sash is lowered to top channel behind curtain frames. Personal injury or property damage may result if unit falls from window.

## Unit Installation

**⚠ Caution:** During the following step, hold unit firmly until window sash is lowered to top channel behind side panel frames. Personal injury or property damage may result if unit falls from window.

### 1. INSTALL THE AIR CONDITIONER IN THE WINDOW

- Carefully lift the air conditioner and slide it into the open window. Be careful not to hurt waist in this operation.
- Use the two hand grips on bottom sides of unit to lift unit.

**NOTICE** : Hold unit firmly and push outward to correct bracket location. You will feel unit drop securely in place on the support bracket.

- Lower top window sash all the way down so that sash sits firmly in top channel of unit and expandable curtain frames.

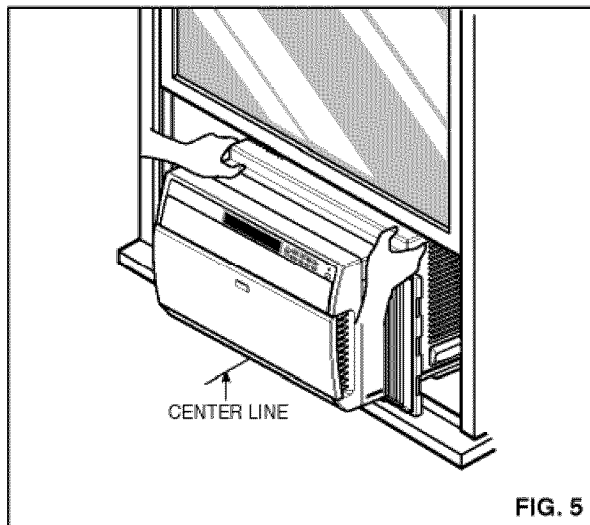


FIG. 5

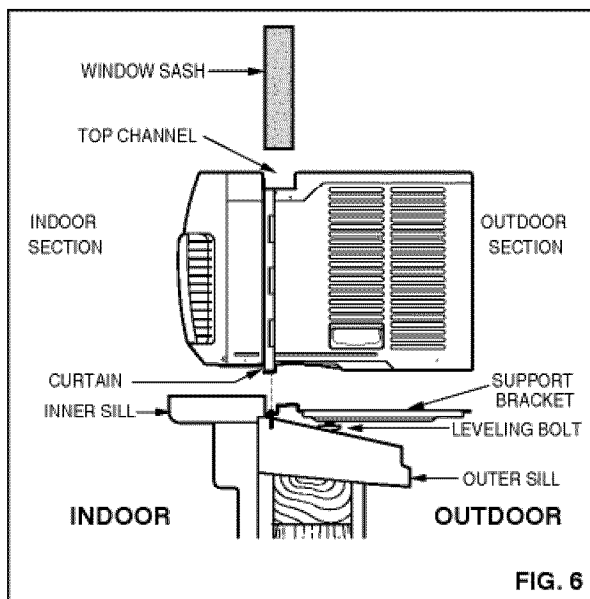


FIG. 6

2. SECURE THE curtain frames Expand the curtain frames and secure them using 4 screws (ITEM E) as shown in FIG. 7. When curtain frame opens or closes, you may feel a slight resistance. This is normal.

### 3. Foam seal and window lock

- Cut the foam seal (ITEM F) to the window width. Stuff the foam seal between the glass and the window to prevent air and insects from getting into the room, as shown in FIG. 7.
- Install the L bracket to prevent window from being raised which may result in unit falling.
- Attach the side bracket (ITEM J) in the inner window sill with a screw (ITEM E), as shown in FIG. 8, after removing the existing screw at right bottom side on cabinet.

**NOTICE** : If window sash has a metal surface, use sheet metal screws instead of the provided wood screws. Obtain sheet metal screws at local hardware store.

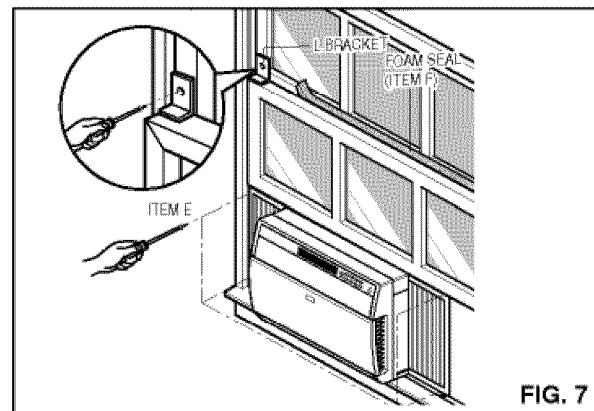


FIG. 7

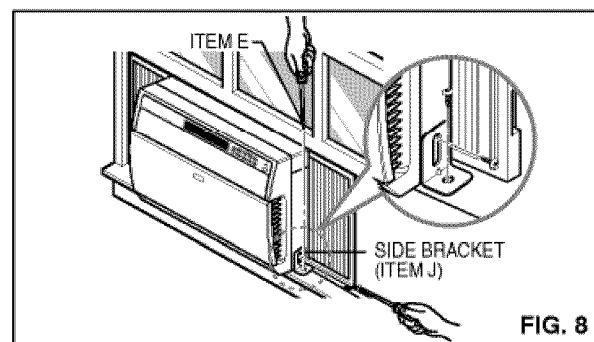


FIG. 8

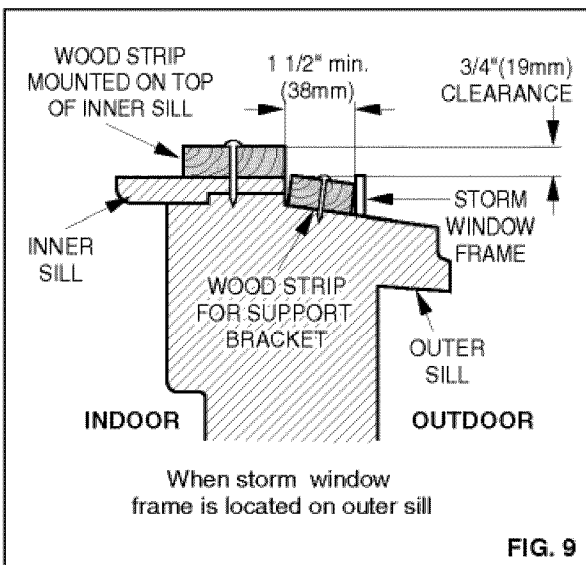
**⚠ CAUTION:** Failure to securely install support bracket may result in unit falling from window if window sash is raised after unit is installed. This could result in personal injury.

#### 4. If AIR CONDITIONER is Blocked by Storm Window FRAME

- If storm window presents interference, fasten a 2" wide wood strip to the inner window sill across the full width of the sill. The wood strip should be thick enough to raise the height of the window sill so that the unit can be installed without interference from the the storm window frame. See FIG. 9.

Top of wood strip should be approximately 3/4" higher than the storm window frame to help condensation to drain properly to the outside.

- Install a second wood strip (approximately 6" long by 1 1/2" wide and same thickness as first strip) in the center of the outer sill flush against the back of the inner sill.



#### CAUTION:

- Air conditioners covered in this manual pose an excessive weight hazard. Two or more people are needed to move and install the unit. To prevent injury or strain, use proper lifting and carrying techniques when moving unit.
- When handling the air conditioner, be careful to avoid cuts from sharp metal fins on front and rear coils.
- Make sure air conditioner does not fall during removal.

### REMOVAL FROM WINDOW

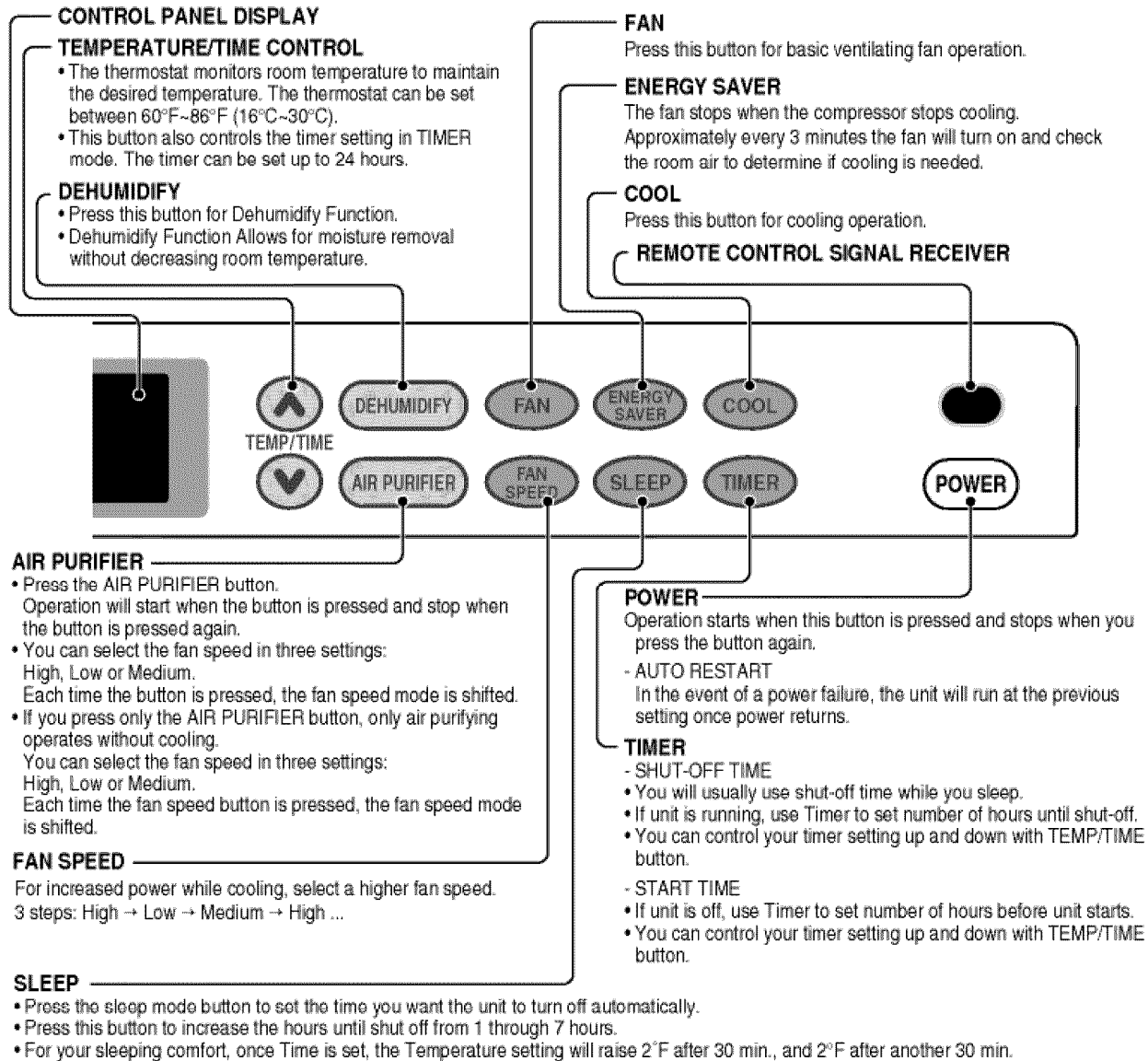
- Turn off and unplug the air conditioner.
- Unscrew the side screws that you installed in Step 2(Page 13).
- Close the curtain frame and remove foam seal and L bracket from the windows.
- Keep a firm grip on the air conditioner and raise the sash.
- Lift the air conditioner from the window.
- Remove the foam strip from between the window.
- Remove the support bracket from window frame.
- Place unit and mounting hardware in air conditioner shipping carton, and store in clean, dry place.

# Operating Instructions

## Remote Control Operation

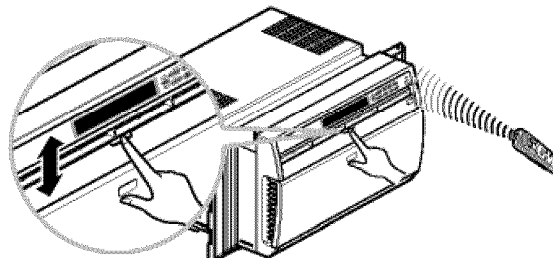
ENGLISH

**CAUTION:** If you turn off the air conditioner or switch from cooling to the fan, wait at least 3 minutes before setting to cooling again.



### Opening the Panel Door

You can open and shut the Panel Door both by your fingertips and by Remote Control.





**POWER**

- To turn the air conditioner ON, push the button. To turn the air conditioner OFF, push the button again.  
This button takes priority over any other button.  
When you first turn it on, the air conditioner is on the High cool mode and the Temp. at 72°F

**AIR PURIFIER**

- Press the Air Purifier button.  
Operation will start when the button is pressed and stop when the button is pressed again.
- You can select the fan speed in three settings: High, Low or Medium.  
Each time the button is pressed, the fan speed mode is shifted.
- If you press only the Air Purifier button, only air purifying operates without cooling.  
You can select the fan speed in three settings: High, Low or Medium.  
Each time the fan speed button is pressed, the fan speed mode is shifted.

**TEMPERATURE/TIME CONTROL**

- The thermostat monitors room temperature to maintain the desired temperature.  
The thermostat can be set between 60°F~86°F (16°C~30°C).
- This button also controls the timer setting in TIMER mode. The timer can be set up to 24 hours.

**FAN SPEED**

- For increased power while cooling, select a higher fan speed.  
3 steps: High → Low → Medium → High ...

**SLEEP**

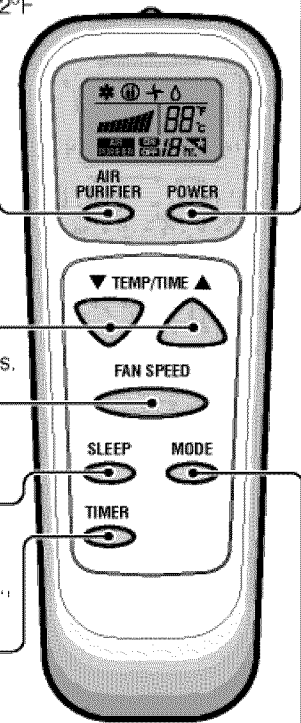
- Press the sleep mode button to set the time you want the unit to turn off automatically.
- Press this button to increase the hours until shut off from 1 through 7 hours.
- For your sleeping comfort, once Time is set, the Temperature setting will raise 2°F after 30 min., and 2°F after another 30 min.

**TIMER**

- SHUT-OFF TIME
  - You will usually use shut-off time while you sleep.
  - If unit is running, use Timer to set number of hours until shut-off.
  - You can control your timer setting up and down with TEMP/TIME button.
- START TIME
  - If unit is off, use Timer to set number of hours before unit starts.
  - You can control your timer setting up and down with TEMP/TIME button.

**MODE**

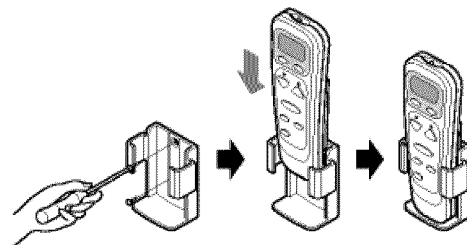
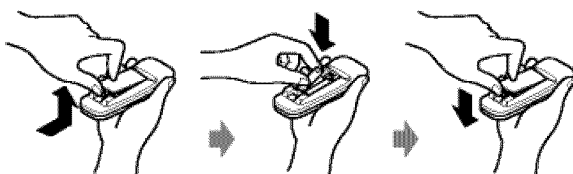
- Push this button to shift MODE of operation from COOL → ENERGY SAVER → FAN → DEHUMIDIFY.
- ENERGY SAVER
  - The fan stops when the compressor stops cooling.  
Approximately every 3 minutes the fan will turn on and check the room air to determine if cooling is needed.



**How to Insert Batteries into Remote Control**

1. Remove the cover from the back of the remote control.
  - Open the cover according to the arrow direction on the cover.
2. Insert two batteries.
  - Be sure that the (+) and (-) directions are correct.
  - Be sure that both batteries are new.
3. Re-attach the cover.

- Do not use rechargeable batteries.  
Such batteries differ from standard dry cells in shape, dimensions, and performance.
- Remove the batteries from the remote controller if the air conditioner is not going to be used for an extended length of time.
- You can put the remote control holder on the place of your preference with two screws enclosed in vinyl bag.



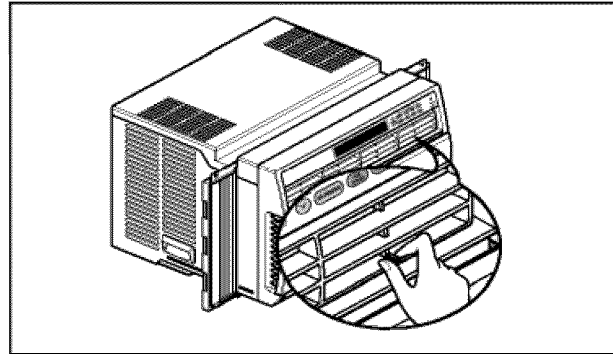
## Additional Features

ENGLISH

### Air Direction

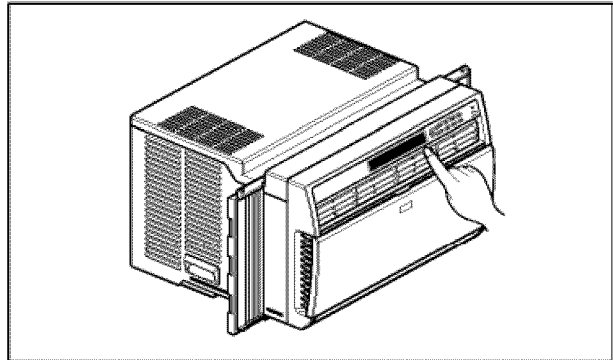
#### HORIZONTAL AIR DIRECTION CONTROL

The horizontal air direction is adjusted by moving the vertical louvers lever right and left with your fingertips.



#### VERTICAL AIR DIRECTION CONTROL

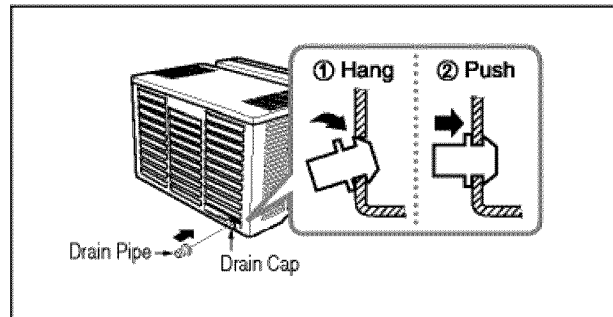
The vertical air direction is adjusted by moving the horizontal louvers up and down with your fingertips.



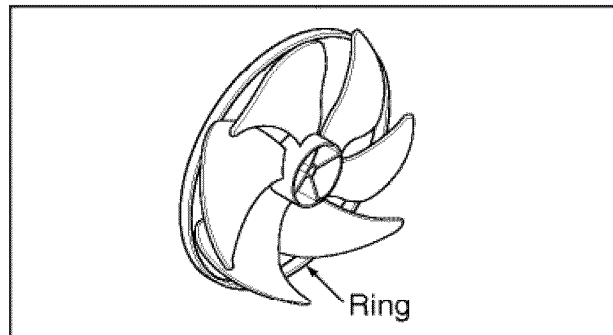
### Drain Pipe

In humid weather, excess water may cause the Base Pan to overflow. To drain the water, remove the Drain Cap and secure the Drain Pipe to the rear hole of the Base Pan. Press the drain pipe into the hole by pushing down and away from the fins to avoid injury.

This air conditioner is equipped with a slinger fan.



The fan has an outer ring that runs in the water that collects in the base pan if it gets deep. That condensate is then picked up by the fan and expelled through the condenser, making the air conditioner more efficient.



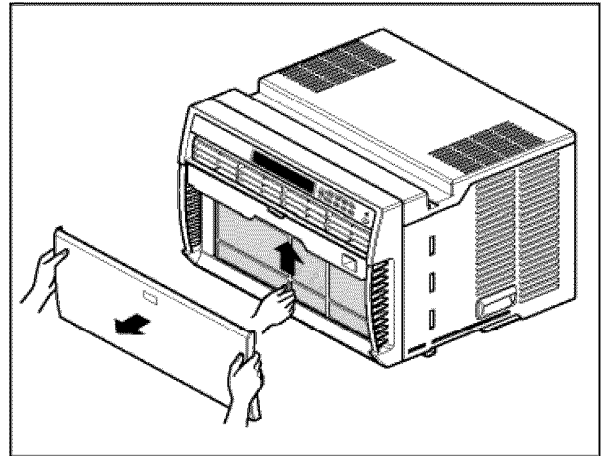
**CAUTION:** Be careful when inserting the drain pipe. Push away from the sharp fin area to avoid slipping injuring yourself.

## Maintenance and Service

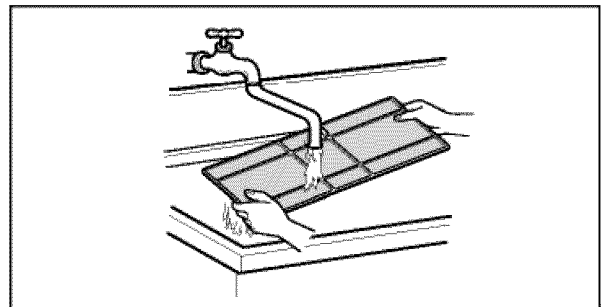
### Air Filter Cleaning

The Air Filter will become dirty as it removes dust from the inside air. It should be washed at least every 2 weeks. If the Air Filter remains full of dust, the air flow will decrease and the cooling capacity will be reduced, possibly damaging the unit.

- Pull the inlet grille forward, grasping both sides, then pull out the air filter.



- Wash the Air Filter under the faucet with warm water. Be sure to shake off all the water before replacing the filter.

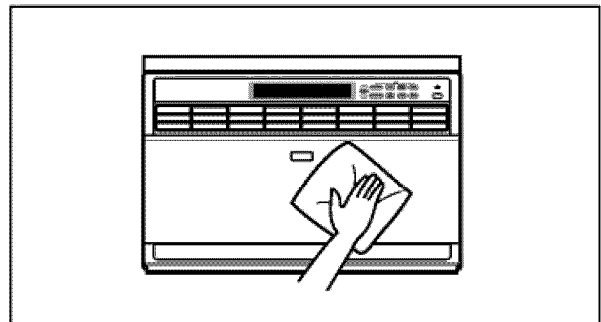


### Air Conditioner Cleaning

Clean the front grille and inlet grille by wiping with a cloth dampened in a mild detergent solution.

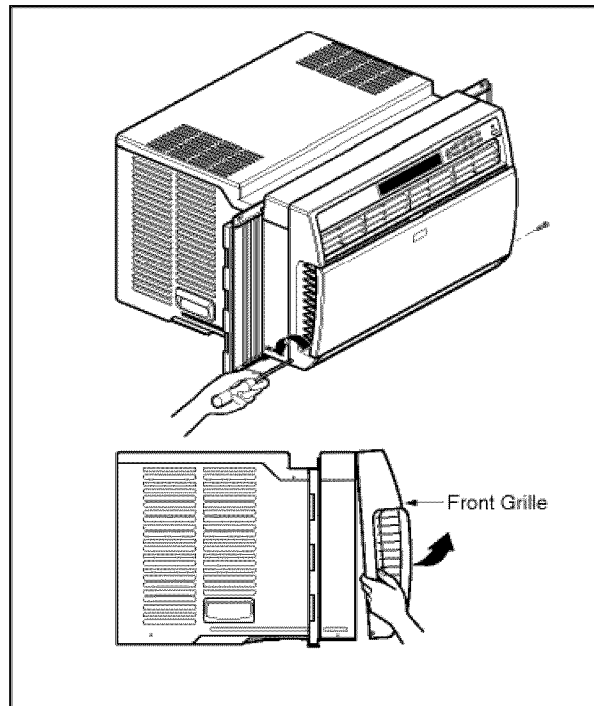
The cabinet may be washed with mild soap or detergent and lukewarm water, then polished with liquid appliance wax.

To ensure continued peak efficiency, the condenser coils (outdoor side at the unit) should be checked periodically and cleaned if they become clogged with soot or dirt from the atmosphere. Brush or vacuum exterior coils to remove debris from fins.



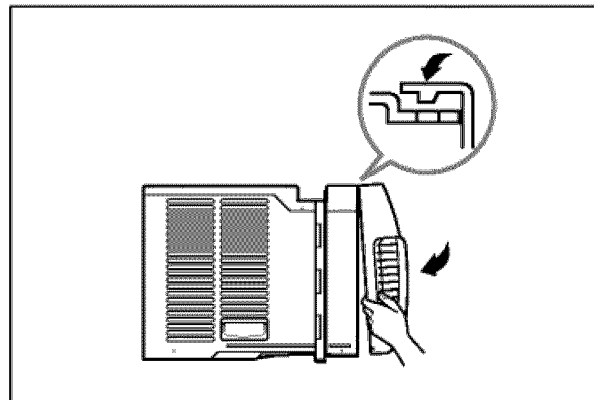
## How to remove the Front Grille

- Remove the screw securing the Front Grille.
- Push the grille up from the bottom and pull the top of the grille away from the case to lift the top tabs out of their slots.
- Disconnect display connector.



## HOW TO REPLACE THE FRONT GRILLE

- Connect display connector.
- Attach the front grille to the cabinet by inserting the tabs on the grille into the slots on the front of the cabinet. Push the grille in until it snaps into place and secure it with 2 screws at bottom sides.



## Common Problems and Solutions

### Before Calling for Service

If you have problems with your air conditioner, read the following information and try to solve the problem. If you cannot find a solution, turn off the air conditioner and contact your dealer.

#### **Air conditioner does not operate**

1. Ensure that the air conditioner is plugged into a proper outlet.
2. Check the fuse or circuit breaker.
3. Check whether the voltage is unusually high or low.

#### **Air does not feel cold enough on the cooling setting**

1. Ensure that the temperature settings are correct.
2. Check to see if the air filter is clogged with dust. If so, clean the filter.
3. Ensure that the air flow from the outside is not obstructed and that there is a clearance of over 20" between the back of the air conditioner and the wall or fence behind it.
4. Close all doors and windows and check for any source of heat in the room.



Before calling for service, please review the following list of common problems and solutions.

#### ***The air conditioner is operating normally when:***

- You hear a pinging noise. This is caused by water being picked up by the fan on rainy days or in highly humid conditions. This feature is designed to help remove moisture in the air and improve cooling efficiency.  
See the section on Slinger Fan, page 17.
- You hear the thermostat click. This is caused by the compressor cycle starting and stopping.
- You see water dripping from the rear of the unit. Water may be collected in the base pan in highly humid conditions or on rainy days. This water overflows and drips from the rear of the unit.
- You hear the fan running while the compressor is silent. This is a normal operational feature.

## Troubleshooting

Before calling for service, please review the following list of common problems and solutions.

**The air conditioner is operating normally when:**

- You hear a pinging noise. This is caused by water being picked up by the condenser on rainy days or in highly humid conditions. This feature is designed to help remove moisture in the air and improve cooling efficiency.
- You hear the thermostat click. This is caused by the compressor cycle starting and stopping.
- You see water dripping from the rear of the unit. Water may be collected in the base pan in highly humid conditions or on rainy days. This water overflows and drips from the rear of the unit.
- You hear the fan running while the compressor is silent or fan mode. This is a normal operational feature.

**The air conditioner may be operating abnormally when:**

Problem	Possible Causes	What To Do
<b>The air conditioner does not operate at all</b>	■ The air conditioner is unplugged or not plugged in completely.	• Make sure the plug is completely plugged into the outlet.
	■ The fuse is blown/circuit breaker is triggered.	• Check the fuse/circuit breaker box and replace the fuse or reset the breaker.
	■ Power failure.	• In the event of a power failure, set the power control to OFF. When the power is restored, wait 3 minutes to restart the air conditioner to prevent the compressor from overloading.
<b>Air conditioner does not cool</b>	■ Air flow is restricted.	• Make sure there are no curtains, blinds, furniture or other obstacles in front of the air conditioner.
	■ TEMP Control set too higher number.	• Set the TEMP control to a lower number.
	■ The air filter is dirty.	• Clean the filter at least every 2 weeks. Refer to the "Care and Maintenance" section (p.9) of the manual.
	■ The air conditioner was just turned on.	• After the air conditioner is turned on, you need to give the air conditioner some time to cool the room.
	■ Cold air is escaping.	• Check for open furnace floor registers and cold air returns. • CLOSE the air conditioner vent.
	■ Cooling coils are iced up.	• See <i>Ice appears on the air conditioner</i> below
<b>Ice appears on the air conditioner.</b>	■ The cooling coils are iced over.	• Ice may block the air flow and obstruct the air conditioner from properly cooling the room. Set the mode control at High Fan or High Cool with the high temperature.

\* You can refer to the Energy Star program in detail at "[www.energystar.gov](http://www.energystar.gov)".