

THRU-THE-WALL AIR CONDITIONER INSTALLATION INSTRUCTIONS

For future reference, record in space provided below the serial and model numbers of this appliance.

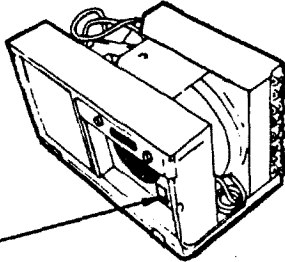
SERIAL NO. _____

MODEL NO. _____

DEALER _____

DATE OF PURCHASE _____

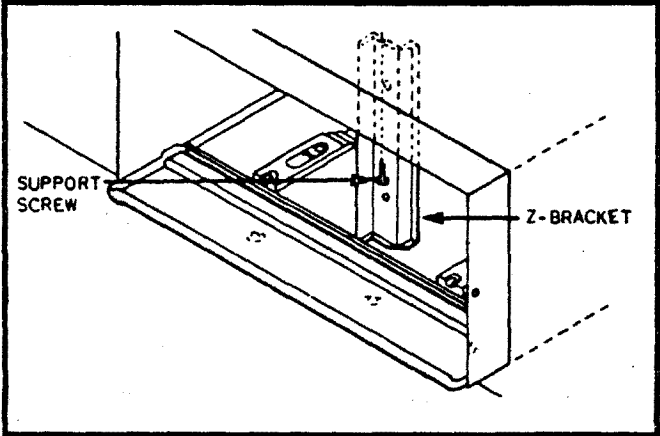
MODEL AND SERIAL
NUMBER LOCATION
(LABEL)



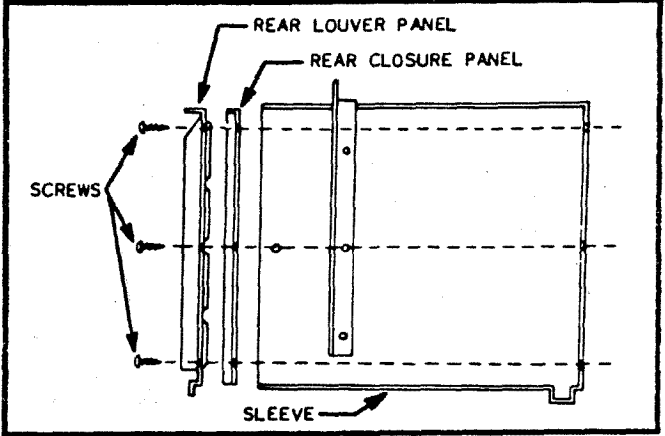
Chassis Installation

This CHASSIS (inside of air conditioner) is for installation in a previously installed through-the-wall sleeve.

1. Remove FRONT CLOSURE PANEL. Remove Z-BRACKET by loosening SUPPORT SCREW.



3. If time has elapsed since SLEEVE was installed, recheck level for 1/2 bubble outward pitch.



2. Remove REAR LOUVER PANEL and REAR CLOSURE PANEL through inside of SLEEVE by removing SCREWS. Reinstall REAR LOUVER PANEL in SLEEVE.

4. Slide CHASSIS into SLEEVE as far as possible.

NOTE: These panels cannot be removed from outside of structure.

Important Grounding Instructions

Note: Aluminum house wiring may pose special problems. Consult a qualified electrician.

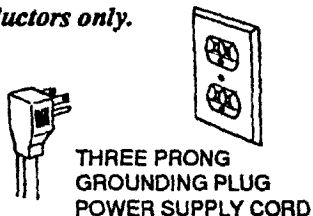
Fuse: Use a time-delay fuse or circuit breaker. Refer to serial plate for proper power supply requirements.

115 Volt Units Only

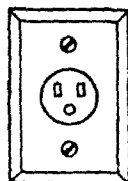
Air Conditioner has a three-prong grounding plug on power supply cord, which must be plugged into properly grounded three-prong wall receptacle for your protection against possible shock hazard. If such an outlet is not present, one must be installed by a qualified electrician in accordance with the National Electrical Code and local codes and ordinances.

Caution: Use copper conductors only.

FOR MODELS UP TO AND INCLUDING 7.5 AMPERES USE GROUNDING TYPE WALL RECEPTACLE TO MATCH CORD PLUG

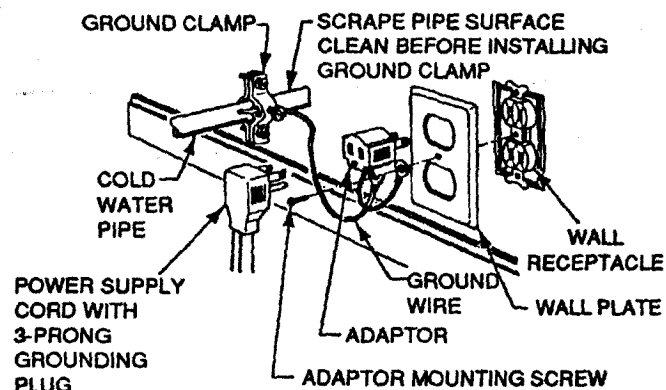


FOR MODELS ABOVE 7.5 AMPERES USE SINGLE OUTLET GROUNDING TYPE WALL RECEPTACLE TO MATCH CORD PLUG



If changing wall receptacle is not possible and where local codes permit (excluding Canada), an adaptor may be used to connect 115 volt, three-prong grounding plug to two-prong wall receptacle. Connect adaptor securely with wall plate mounting screw. When using adaptor, make sure receptacle is grounded. If necessary have it checked by a qualified electrician. If wall receptacle is not grounded, connect separate, No. 14 gauge ground wire from same wall plate mounting screw to a grounded metal cold water pipe, making certain that pipe has metal continuity to ground. Add jumper wire if necessary, around water meter, pump, or insulating connectors.

Caution: Do not cut off grounding prong or alter plug in any way.



NOTE: THE USE OF AN ADAPTOR IS NOT PERMITTED IN CANADA

Caution: For models installed outside the continental United States, we recommend that a qualified electrician install unit in accordance with local codes and ordinances.

Extension Cord - 115 Volt Units Only

If an extension cord is required to reach the nearest wall receptacle, use only a U. L. listed, 3 wire, grounded, 14 gauge, 15A, 125V appliance extension cord. For models with nameplate ratings greater than 12 amperes do not use an extension cord.

230, 208, and 230/208 Volt Units

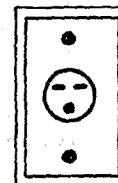
These units are equipped with a three-prong grounding plug on the power supply cord, which must be plugged into a matching properly grounded three-prong wall receptacle (see illustrations below) for your protection against possible shock hazard. If such an outlet is not present, one must be installed by a qualified electrician in accordance with the National Electrical Code and local codes and ordinances.

Caution: Use copper conductors only.

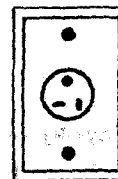
Note: Do not use an extension cord.

Caution: For models installed outside the continental United States, we recommend that a qualified electrician install unit in accordance with local codes and ordinances.

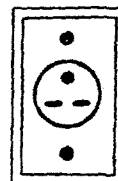
230, 208, & 230/208
VOLT UNITS
WITH NAMEPLATE
AMPS OF 12.0 OR LESS
USE APPROVED
GROUNDING TYPE
WALL RECEPTACLE
AS SHOWN TO
MATCH CORD PLUG



230, 208, & 230/208
VOLT UNITS
WITH NAMEPLATE
AMPS OF 12.1 TO 16.0
USE APPROVED
GROUNDING TYPE
WALL RECEPTACLE
AS SHOWN TO
MATCH CORD PLUG



230, 208, & 230/208
VOLT UNITS
WITH NAMEPLATE
AMPS OF 16.1 TO 24.0
USE APPROVED
GROUNDING TYPE
WALL RECEPTACLE
AS SHOWN TO
MATCH CORD PLUG



Some Energy Saving Recommendations

1. Close fireplace dampers and seal opening to the attic or other uncooled areas.
2. Install awnings, keep shades and curtains closed to keep out the heat and sunlight.
3. Install the air conditioner where its exterior parts will be shaded.
4. Insulate, particularly in the attic floor. Have the attic well ventilated.
5. Use storm windows and doors or insulated glass. Weather strip the doors and windows.
6. Use a higher (warmer) thermostat setting during peak periods or when the area is not occupied.
7. Don't let heat build up all day and then try to cool areas quickly. Start unit earlier in the day and cool areas slowly before they are to be occupied.
8. Avoid activities which use a great deal of energy while using your air conditioner: showers, baking, and operating the self-cleaning cycle of an oven during high heat time of the day.
9. Do not block the back or the outdoor side of the unit.
10. Change or clean the air filter regularly. Check air flow for blockage by outside obstructions.
11. Take care of the unit by having unit checked and cleaned at the start of the season.
12. Turn the unit off and use natural ventilation by opening windows when the outside temperature and humidity are low enough.
13. Protect unit during off season, clean and keep covered.

Service Instructions-Follow these Steps in Order

To save time and expense, check and do the following before calling a Fedders Authorized Service Company.

Insufficient Cooling

Turn MASTER CONTROL to OFF. Shut all windows and doors in room. Remove any obstructions from inside and outside cabinet louvers. Turn AIR EXCHANGER to CLOSED. Inspect filter and clean if dirty. Turn TEMPERATURE to COOLER. Turn MASTER CONTROL to HIGH COOL.

Under certain conditions the cooling coils directly behind the filter, may ice up and block the airflow. This is a common occurrence in air conditioners caused when the outside temperature drops below 70°F (21°C) while the humidity remains high. If this happens, simply turn the unit off and allow the ice to melt, then resume normal operation.

Insufficient Heating-Heat Models Only

Turn MASTER CONTROL to OFF. Shut all windows and doors in room. Remove any obstructions from inside and outside cabinet louvers. Turn AIR EXCHANGER to CLOSED. Turn TEMPERATURE to WARMER. Turn MASTER CONTROL to HIGH HEAT.

Unit Fails to Start

Turn MASTER CONTROL to OFF. Replug line cord plug into outlet to be sure electrical contact is being made. (If firm contact is not being made, outlet may have to be replaced). Turn MASTER CONTROL to HIGH FAN. If air circulating fan does not operate, check house circuit breaker (or fuses). Check condition of extension cord if used.

IF SERVICE OR PARTS ARE REQUIRED - First, make the recommended checks. If it appears that service or parts are still required, call a Fedders Authorized Service Company or parts distributor. Your dealer can give you the name and address of the one nearest you. If you have moved or your dealer is no longer in business, dial 1-800-621-5199, in Illinois call 1-800-972-5858 for this information. This call is free. It should be dialed as you normally dial long distance, and is available anytime-24 hours a day, 7 days a week. In the unlikely event that the Fedders Authorized Service Company has not solved your problem, please contact us by mail.

Consumer Affairs Department - Fedders Air Conditioning USA, Inc. - 415 Wabash Avenue-Box 200 - Effingham, Illinois 62401

Contact MACAP

If you still feel that your problem has not been handled satisfactorily you may contact MACAP, the Major Appliance Consumer Action Panel, which is a group of consumer experts sponsored by the home appliance industry but functions as a completely independent agency, which will make impartial recommendations in the case of consumers who are not satisfied with the resolution of service problems. MACAP - 20 North Wacker Drive - Chicago, Illinois 60606.

Be sure to supply your name, full address and phone number, the model and serial number of the appliance, the name and address of the dealer from whom you bought it and the date of purchase. Clearly describe the problem and all pertinent circumstances and include the name and address of any service or repair facility who has worked on the appliance. Please note, MACAP will not review your problem if a Fedders Authorized Service Company and Fedders Consumer Affairs Department have not been contacted first.

ROOM AIR CONDITIONER AND THRU-THE-WALL AIR CONDITIONER WARRANTIES WITHIN THE FIFTY STATES of the U.S.A. and DISTRICT OF COLUMBIA

LIMITED FIRST YEAR WARRANTY ON ENTIRE UNIT

If your Fedders air conditioner fails to function within one year after the date of its original purchase, due to a defect in material or workmanship, Fedders will remedy the defect without charge to you.

LIMITED WARRANTY SECOND THROUGH FIFTH YEAR

If your Fedders air conditioner fails to function within the second through fifth year after the date of original purchase, due to a defect in material or workmanship of the compressor, Fedders will furnish a new or rebuilt compressor, F.O.B. factory, to replace the defective compressor. All delivery, installation, and labor costs are your responsibility.

The above Limited Warranties do not cover failure to function caused by damage to the unit while in your possession (other than damage caused by defect or malfunction), or by its improper installation, or by unreasonable use of the unit, including without limitation, failure to provide reasonable and necessary maintenance or to follow the written Installation and Use Instructions. If the unit is put to commercial, business, rental, or other use or application other than for consumer use, we make no warranties, express or implied, including, but not limited to, any implied warranty of merchantability or fitness for particular use or purpose.

THE REMEDIES PROVIDED FOR IN THE ABOVE EXPRESS WARRANTY ARE THE SOLE AND EXCLUSIVE REMEDIES THEREFORE. NO OTHER EXPRESS WARRANTIES ARE MADE. ALL IMPLIED WARRANTIES, INCLUDING BUT NOT LIMITED TO ANY IMPLIED WARRANTY OF MERCHANTABILITY OR FITNESS FOR A PARTICULAR USE OR PURPOSE, ARE LIMITED IN DURATION TO ONE YEAR FROM THE DATE OF ORIGINAL PURCHASE. IN NO EVENT SHALL FEDDERS BE LIABLE FOR INCIDENTAL EXPENSES OR CONSEQUENTIAL DAMAGES. NO WARRANTIES, EXPRESS OR IMPLIED, ARE MADE TO ANY BUYER FOR RESALE.

Some states do not allow limitations on how long an implied warranty lasts or do not allow the exclusion or limitation of incidental or consequential damages, so the above limitations or exclusions may not apply to you. This warranty gives you specific legal rights and you may also have other rights which vary from state to state.

No warranties are made for units sold outside of the above stated areas. Your distributor or final seller may provide a warranty on units sold outside of the areas.

IMPORTANT: MAINTAIN PROOF OF PURCHASE. Proof of purchase is required to prove date of purchase in the unlikely event of a WARRANTY claim.

War. No. 1362

Fedders Air Conditioning USA, Inc. - Effingham, Illinois 62401